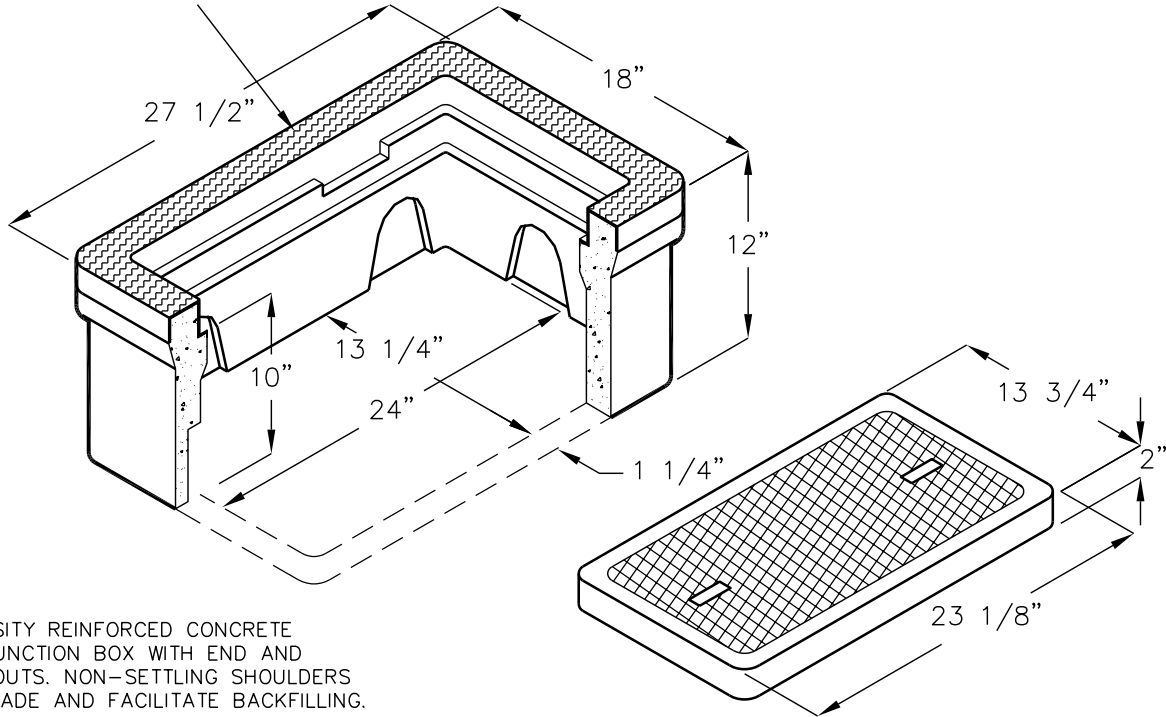


N30 ELECTRICAL HANDHOLE

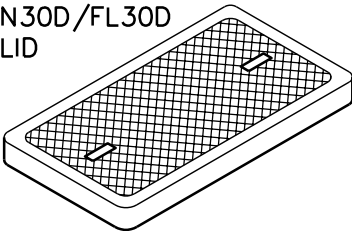
13 1/4" x 24" x 10"
(INSIDE DIMENSIONS)

- ETCHED POLYETHYLENE FACE
- FACE ANCHORED IN CONCRETE
- ULTRAVIOLET INHIBITOR

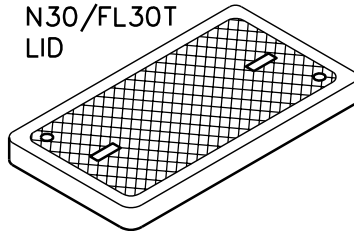


A HIGH DENSITY REINFORCED CONCRETE PULL AND JUNCTION BOX WITH END AND SIDE KNOCKOUTS. NON-SETTLING SHOULDERS MAINTAIN GRADE AND FACILITATE BACKFILLING.

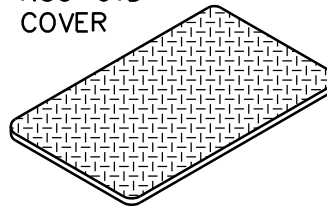
N30D/FL30D LID



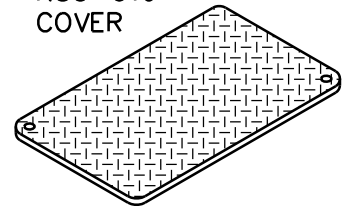
N30/FL30T LID



N30-61D COVER



N30-61J COVER



CATALOG NUMBER	PRODUCT	DESCRIPTION	APPROX. WT. (LBS.)
N30	BOX	REINFORCED CONCRETE	138
N30D	LID	REINFORCED CONCRETE	50
FL30D	LID	FIBRELYTE LID	18
N30T	LID	REINFORCED CONCRETE W/HOLD DOWN BOLTS	50
FL30T	LID	FIBRELYTE LID W/HOLD DOWN BOLTS	18
N30-61D	COVER	STEEL CHECKER PLATE	39
N30-61J	COVER	STEEL CHECKER PLATE W/HOLD DOWN BOLTS	40
N30X12	EXTENSION	12" REINFORCED CONCRETE	137
N30SL	SLAB	REINFORCED CONCRETE	53
N30BA	BASE	5-1/2" HIGH REINFORCED CONCRETE	86