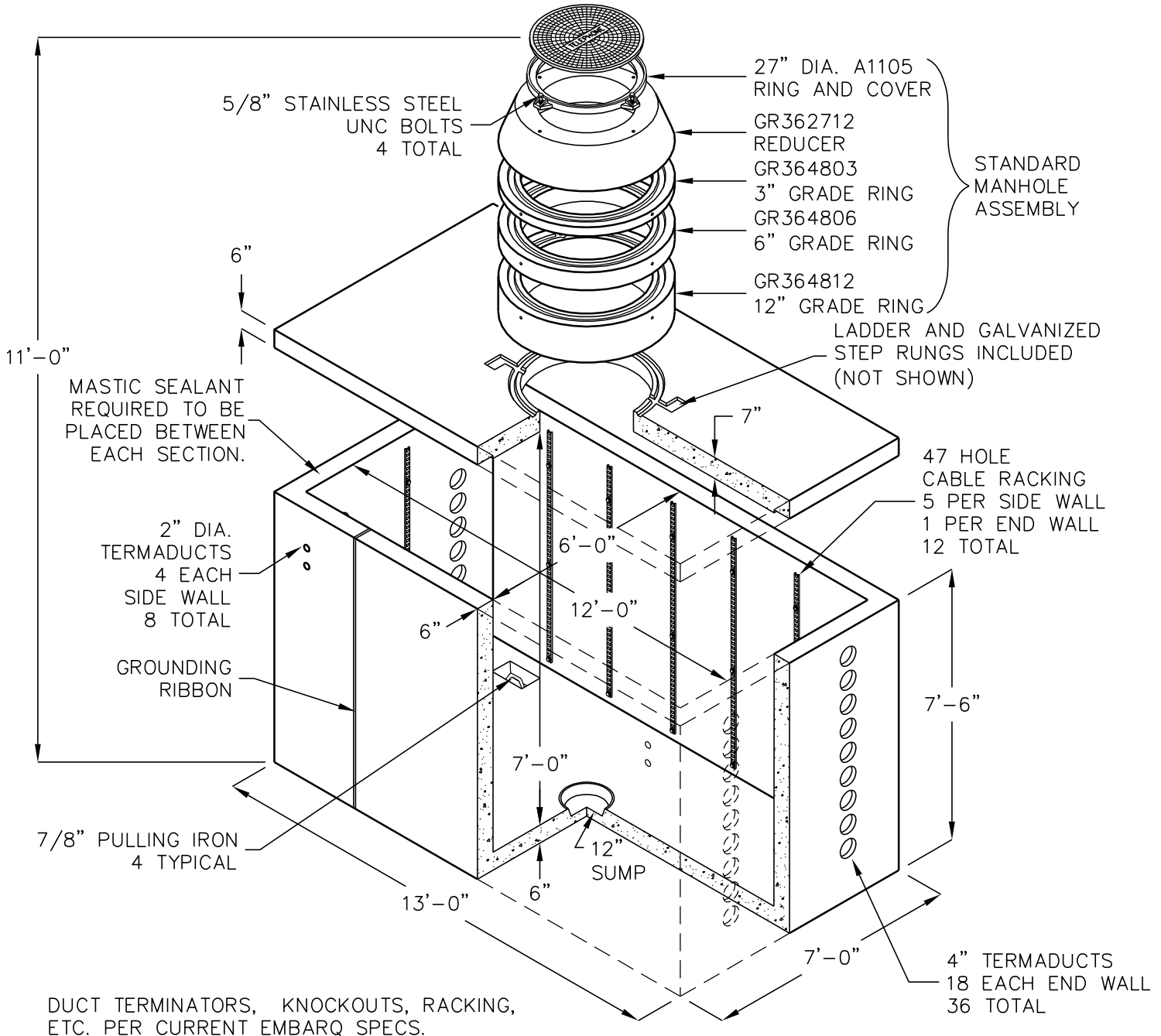


EMBARQ 6000

6'-0"x12'-0"x7'-0"

(NOMINAL DIMENSIONS)

MEETS EMBARQ SPECIFICATIONS



DESIGN LOAD: H-20 TRAFFIC.

FOR COMPLETE DESIGN AND PRODUCT INFORMATION CONTACT JENSEN PRECAST.

Jensen Precast reserves the right to make changes to product design and/or dimensions without notice. Please contact Jensen Precast whenever necessary for confirmation or advice on product design.

