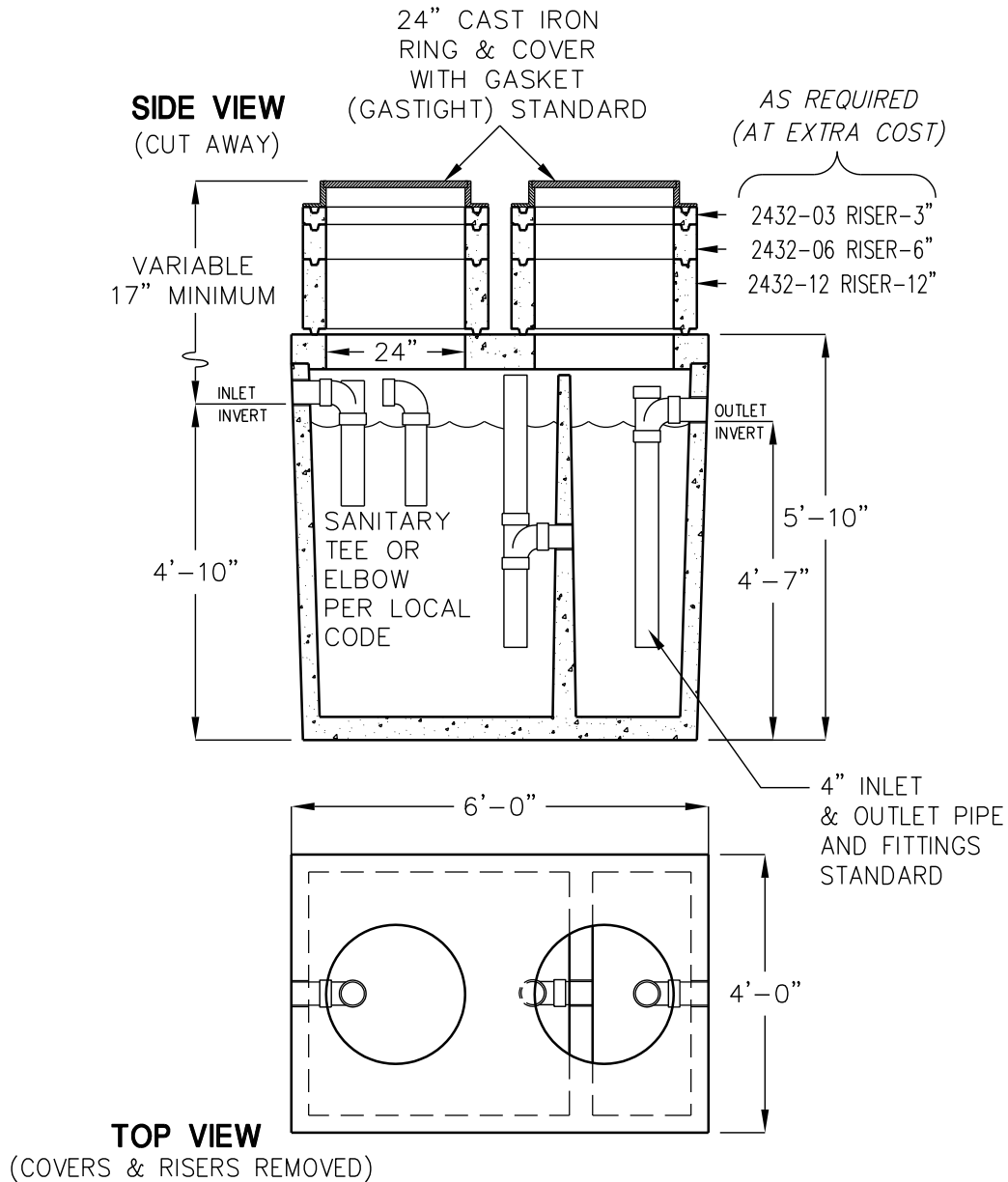


# 500 GALLON SAND-OIL INTERCEPTOR

MODEL JP500EE-SO  
ACCEPTED BY UPC®



LIQUID CAPACITY: 500 GALLONS.

BOX DESIGN LOAD: H-20 TRAFFIC FROM  
1' TO 6' OF SOIL COVER.

FOR COMPLETE DESIGN AND PRODUCT  
INFORMATION CONTACT JENSEN PRECAST.