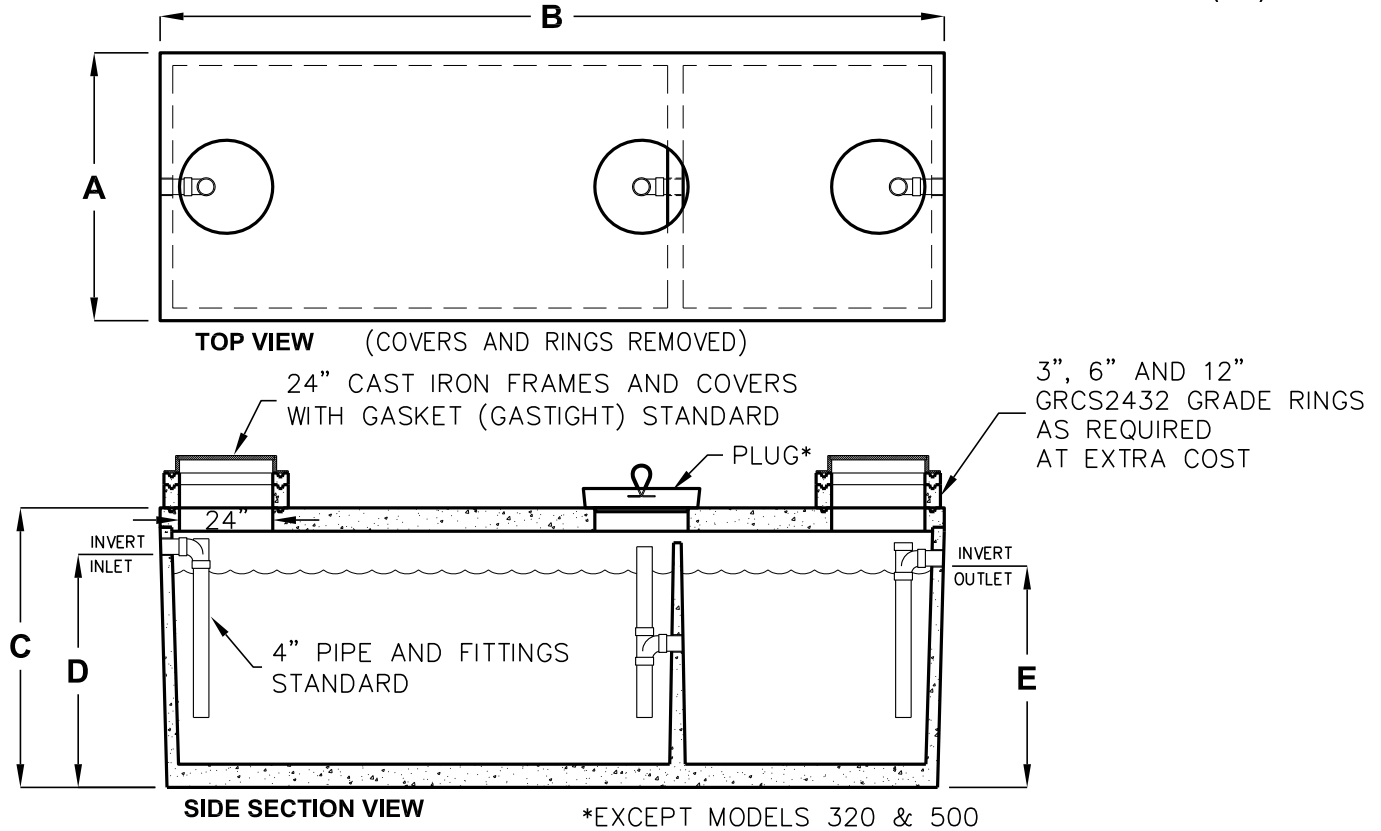


# GREASE INTERCEPTOR

FOR USE IN APPLICATIONS SUBJECT TO MICROBIOLOGICALLY INDUCED CORROSION (MIC)



MODEL NUMBER	LIQUID CAPACITY (GALLONS)	DIM A	DIM B	DIM C	DIM D	DIM E	MINIMUM EXCAVATION WIDTH	MINIMUM EXCAVATION LENGTH	DEPTH OF BURY
JPCS320EE-G	320	3'-0"	7'-0"	4'-6"	3'-7"	3'-4"	4'-0"	8'-0"	1' TO 8'
JPCS500EE-G	500	4'-0"	6'-0"	5'-10"	4'-10"	4'-7"	5'-0"	7'-0"	1' TO 6'
JPCS750EPE-G	750	4'-3"	8'-1"	6'-3"	5'-0"	4'-9"	5'-3"	9'-1"	1' TO 6'
JPCS1000EPE-G	1000	5'-4"	8'-2"	6'-3"	5'-0"	4'-9"	6'-4"	9'-2"	1' TO 6'
JPCS1200EPE-G	1200	6'-0"	8'-6"	6'-6"	5'-0"	4'-9"	7'-0"	9'-6"	1' TO 6'
JPCS1500EPE-G	1500	5'-10"	10'-8"	6'-3"	5'-0"	4'-9"	6'-10"	11'-8"	1' TO 6'
JPCS2000EPE-G	2000	4'-11"	15'-11"	6'-0"	5'-0"	4'-9"	5'-11"	16'-11"	1' TO 6'
JZCS2500EPE-G	2500	5'-9"	16'-10"	6'-0"	5'-0"	4'-9"	6'-9"	17'-10"	1' TO 5'
JZCS3000EPE-G	3000	5'-9"	16'-10"	6'-9"	5'-9"	5'-6"	6'-9"	17'-10"	1' TO 5'
JZCS4000EPE-G	4000	7'-8"	16'-7"	6'-9"	5'-6"	5'-3"	8'-8"	17'-7"	1' TO 5'
JZCS5000EPE-G	5000	7'-8"	16'-7"	7'-11"	6'-9"	6'-6"	8'-8"	17'-7"	1' TO 4'

DESIGN LOAD: H-20 TRAFFIC WITH DRY SOIL CONDITIONS (WATER LEVEL BELOW TANK.)

BEDDING NOTE: SUITABLE SUB-BASE BEDDED WITH GRANULAR MATERIAL SHALL BE PREPARED TO HANDLE ANTICIPATED LOADS.

JENSEN PRECAST BioConcrete™ IS A SPECIFICALLY FORMULATED CONCRETE MIXTURE WHICH INCLUDES A MICROBIOLOGICALLY INDUCED CORROSION (MIC) INHIBITOR FOR APPLICATIONS SUBJECT TO MIC. THE INHIBITOR IS INTRODUCED AS PART OF THE MIXTURE TO PREVENT MIC THROUGHOUT THE STRUCTURE ELIMINATING THE NEED FOR COATINGS OR LINERS.

FOR COMPLETE DESIGN AND PRODUCT INFORMATION CONTACT JENSEN PRECAST.

Jensen Precast reserves the right to make changes to product design and/or dimensions without notice. Please contact Jensen Precast whenever necessary for confirmation or advice on product design.

