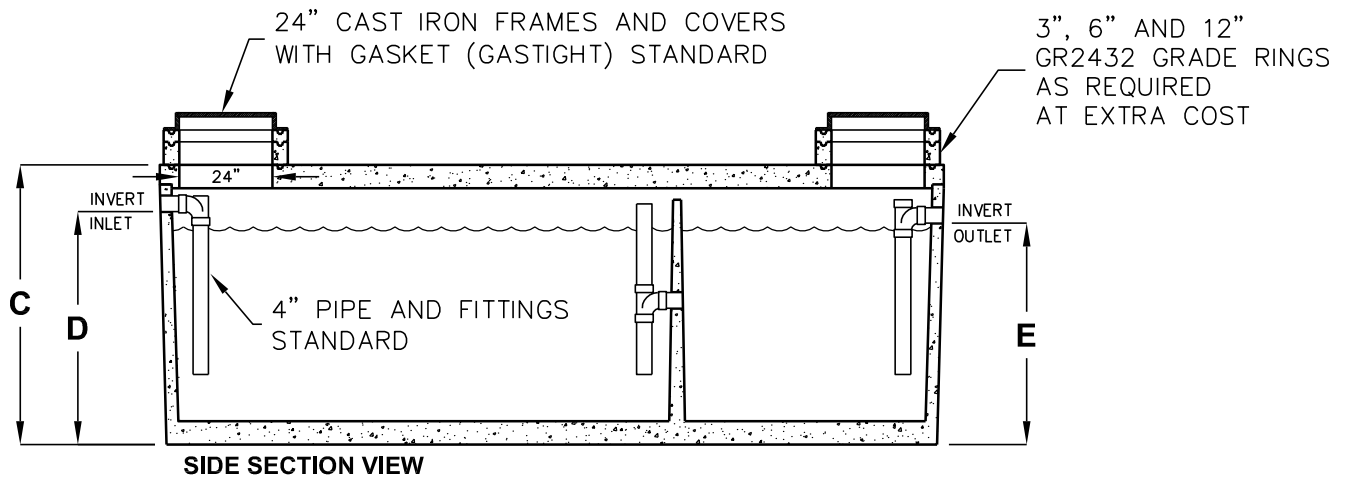
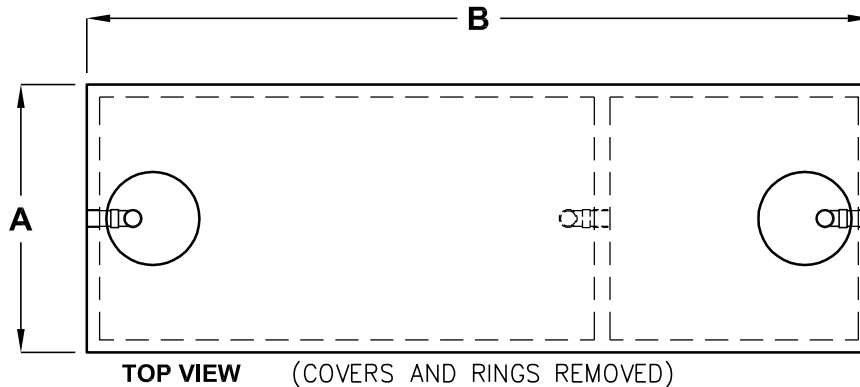


320-1500 GALLON GREASE INTERCEPTORS

TRAFFIC RATED LISTED BY UPC®



MODEL NUMBER	LIQUID CAPACITY (GALLONS)	DIM A	DIM B	DIM C	DIM D	DIM E	MINIMUM EXCAVATION WIDTH	MINIMUM EXCAVATION LENGTH	DEPTH OF BURY	TANK WEIGHT LBS.
JP320G	320	3'-0"	7'-0"	4'-6"	3'-7"	3'-4"	4'-0"	8'-0"	1' TO 6'	6,600
JP500G	500	4'-0"	6'-0"	5'-10"	4'-10"	4'-7"	5'-0"	7'-0"	1' TO 6'	6,750
JP750G	750	4'-0"	8'-1"	6'-0"	5'-0"	4'-9"	5'-0"	9'-1"	1' TO 6'	9,000
JP1000G	1000	5'-1"	8'-2"	6'-0"	5'-0"	4'-9"	6'-1"	9'-2"	1' TO 6'	11,000
JP1200G	1200	5'-9"	8'-6"	6'-0"	5'-0"	4'-9"	6'-9"	9'-6"	1' TO 6'	12,600
JP1500G	1500	5'-7"	10'-8"	6'-0"	5'-0"	4'-9"	6'-7"	11'-8"	1' TO 6'	14,900

DESIGN LOAD: H-20 TRAFFIC WITH DRY SOIL CONDITIONS (WATER LEVEL BELOW TANK.)

SUITABLE SUB-BASE BEDDED WITH GRANULAR MATERIAL SHALL BE PREPARED TO HANDLE ANTICIPATED LOADS.

FOR COMPLETE DESIGN AND PRODUCT INFORMATION CONTACT JENSEN PRECAST.

3/11/08
JP320-JP1500_GREASE_SOCAL_B.dwg
© 2008 Jensen Precast

Jensen Precast reserves the right to make changes to product design and/or dimensions without notice. Please contact Jensen Precast whenever necessary for confirmation or advice on product design.

JENSEN
PRECAST