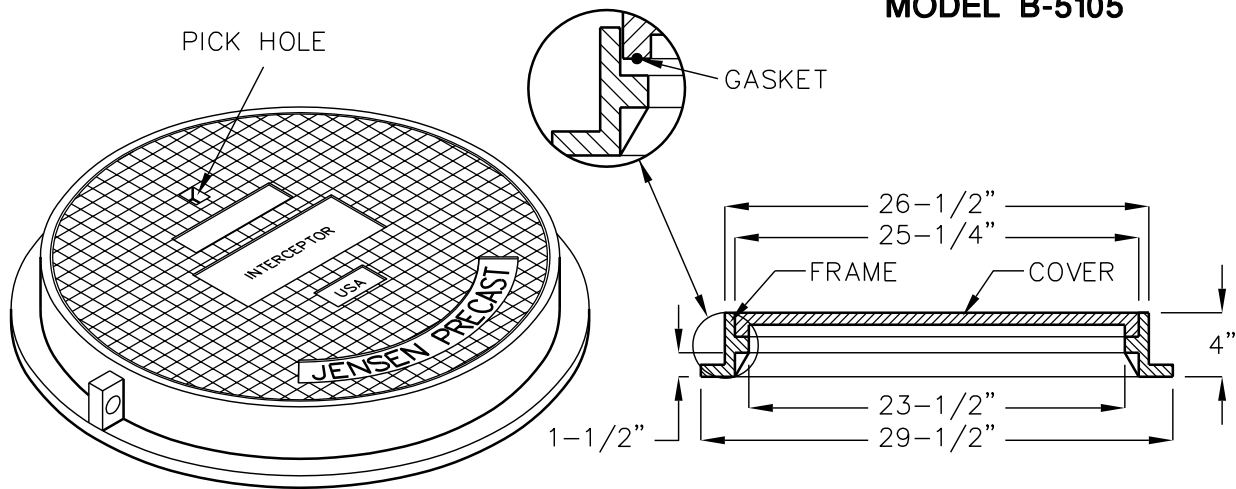


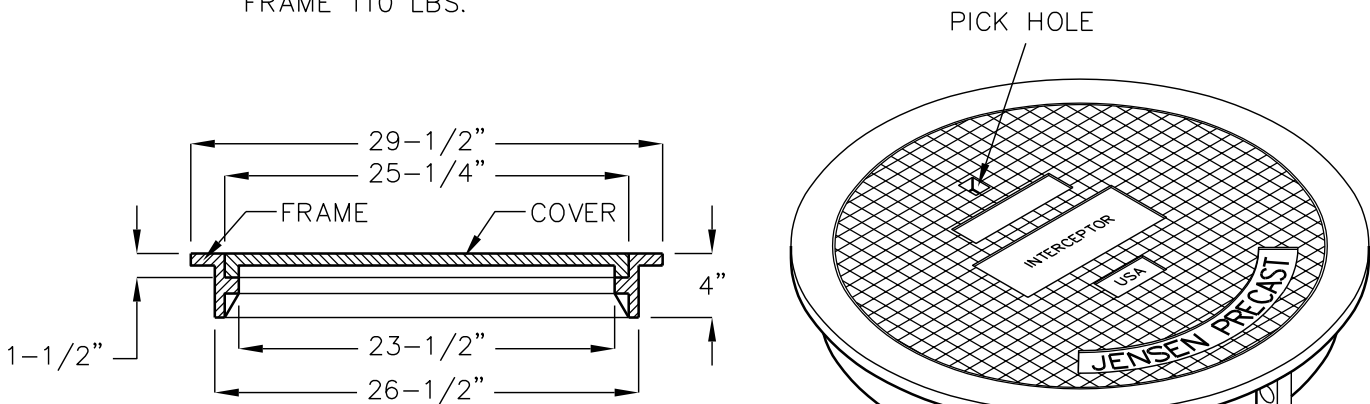
CAST IRON FRAME & COVER

MODEL B-5105



MODEL B-5105 (STANDARD MODEL)

WEIGHT:
COVER 90 LBS.
FRAME 110 LBS.



MODEL B-5105 F (FOR SLAB CONSTRUCTION)

GENERAL INFORMATION

- ◆ ALL MATERIALS USED IN MANUFACTURING SHALL CONFORM TO ASTM A48-30.
- ◆ FRAME & COVER BEARING SURFACES MACHINED TO ASSURE CLOSE, QUIET FIT.
- ◆ CASTINGS SHALL BE DIPPED IN BLACK BITUMINOUS PAINT.
- ◆ STANDARD COVER MEETS H-20 WHEEL LOADING.
- ◆ MARKED "INTERCEPTOR"
- ◆ 1/4" O-RING NEOPRENE GASKET USED FOR GAS TIGHT SEAL.

FOR COMPLETE DESIGN
AND PRODUCT INFORMATION,
CONTACT JENSEN PRECAST.