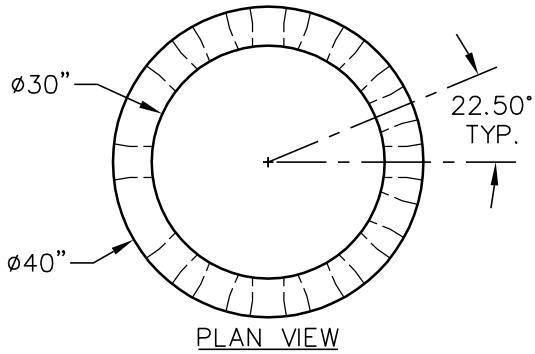
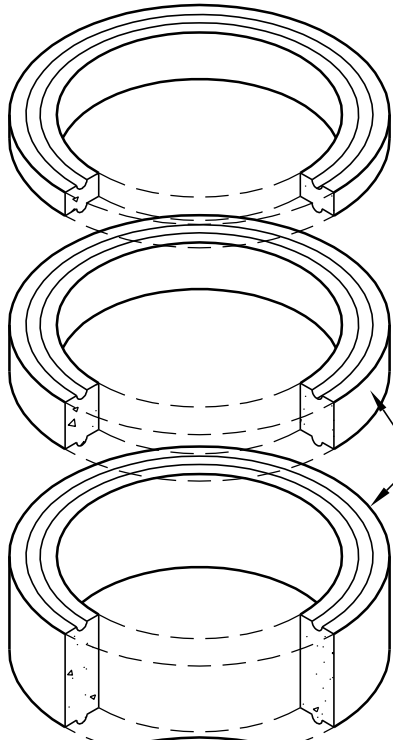
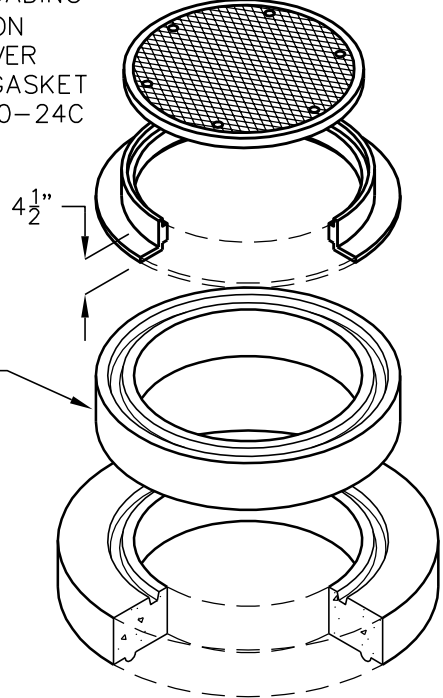


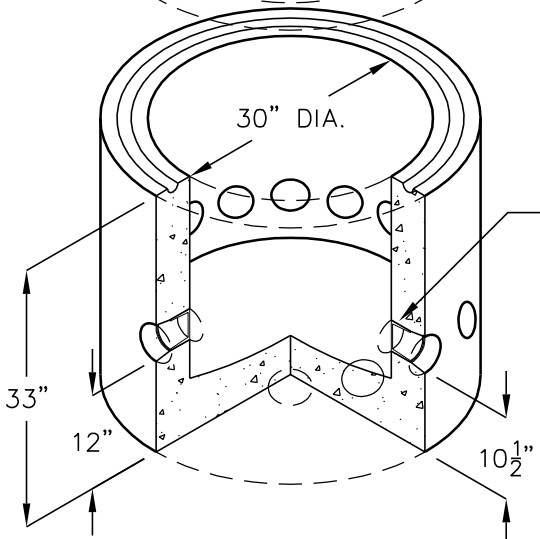
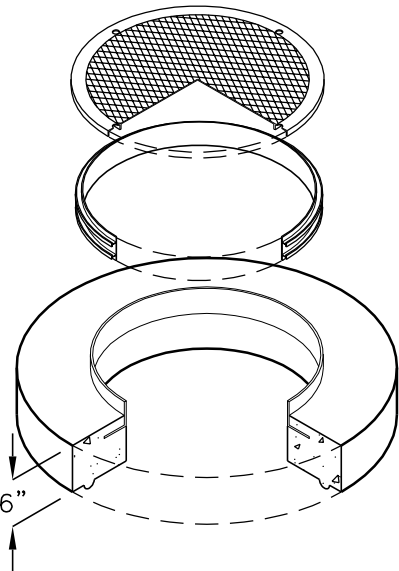
COMMERCIAL DISTRIBUTION BOX MODEL D-30



H-20 TRAFFIC LOADING
 24" CAST IRON
 RING AND COVER
 WITH GAS TIGHT GASKET
 USE REDUCER D30-24C



NON-TRAFFIC PEDESTRIAN LOADING
 FIBERGLASS LID OPTION
 BOLT DOWN COVER
 GREEN OR BROWN COLORS AVAILABLE



PLASTIC PIPE SEALS
 FIT 3" AND 4"
 SMOOTH WALL
 PLASTIC PIPE
 NO GROUTING
 REQUIRED

FOR COMPLETE DESIGN AND PRODUCT INFORMATION CONTACT JENSEN PRECAST.

Jensen Precast reserves the right to make changes to product design
 and/or dimensions without notice. Please contact Jensen Precast whenever
 necessary for confirmation or advice on product design.

