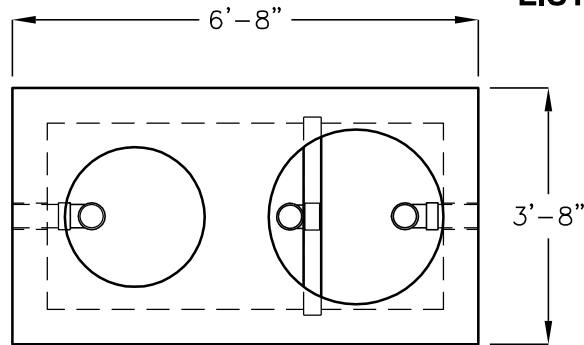


320 GALLON GREASE INTERCEPTOR

MODEL HJ320G
LISTED BY UPC®

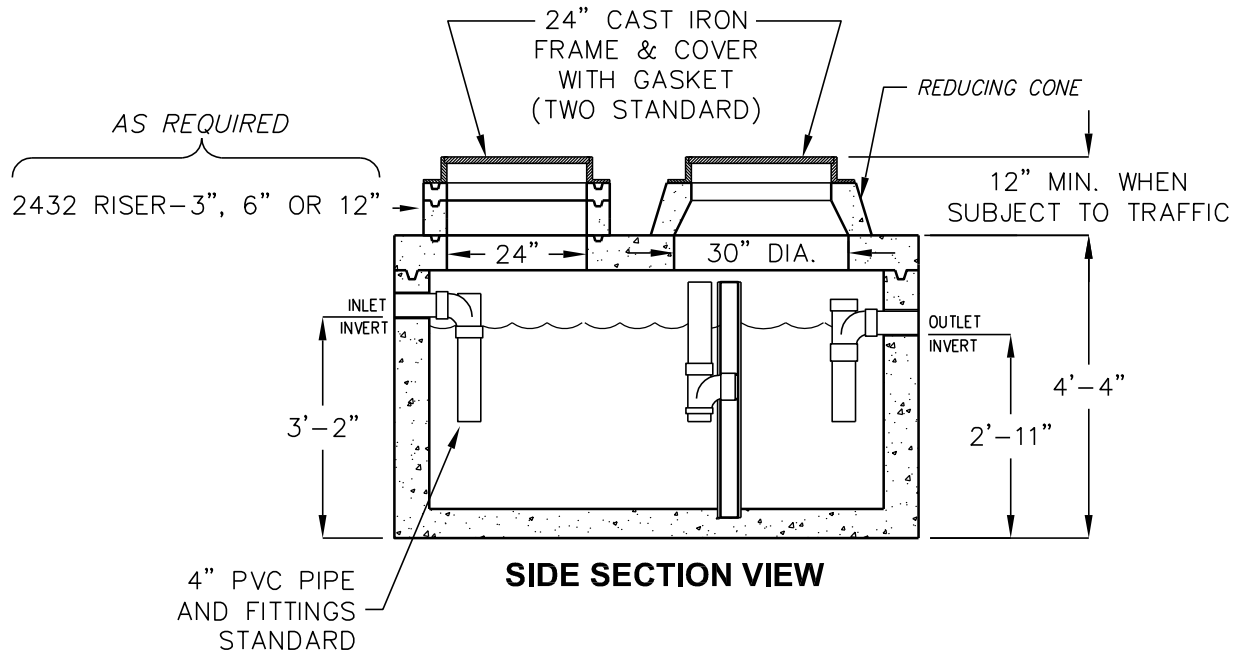


PLAN VIEW

(COVERS AND RINGS NOT SHOWN)

WEIGHTS IN LBS.

TOP SLAB	2,450
BODY	5,650
TOTAL TANK	8,100



SIDE SECTION VIEW

LIQUID CAPACITY: 320 GALLONS.

DESIGN LOAD: H-20 TRAFFIC WITH DRY SOIL CONDITIONS (WATER LEVEL BELOW TANK) AND 1'-6" EARTH COVER.

SUITABLE SUB-BASE BEDDED WITH GRANULAR MATERIAL SHALL BE PREPARED TO HANDLE ANTICIPATED LOADS.

EXTERIOR AND INTERIOR CONCRETE SURFACES TO BE COATED WITH AN APPROVED BITUMINOUS MATERIAL.

FOR COMPLETE DESIGN AND PRODUCT INFORMATION CONTACT JENSEN PRECAST.

MINIMUM EXCAVATION
4'-8" x 7'-8"
x REQ'D DEPTH