

4'-0" x 6'-6" PARKWAY WATER VAULT x 3'-6" DEEP

NOTES:

HANDHOLE DESIGNED IN ACCORDANCE WITH AASHTO H-20-44 TRAFFIC BRIDGE LOADING USING 5,500 PSI [37.92MPa] COMPRESSIVE STRENGTH CONCRETE AND 60,000 PSI [413.2MPa] YIELD STRENGTH ASTM A-706 STEEL REINFORCEMENT PER CALCS. #31951.
COVER DESIGNED FOR PARKWAY LOADING @ 300 P.S.F. PER CALC. #31429.

HANDHOLE TO BE PLACED ON A MIN. 6" BASE OF CRUSHER RUN FOR EASE OF INSTALLATION AND EVEN LOAD DISTRIBUTION.

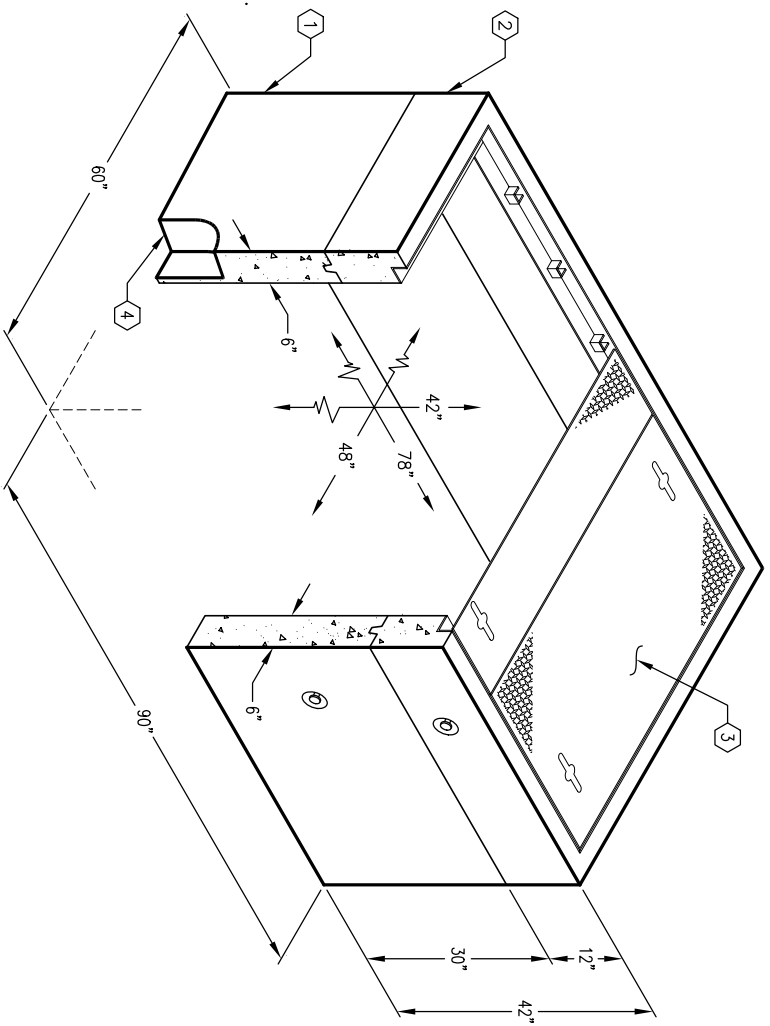
ORDERING INFORMATION:

K466-FH42-08P FOR ASSEMBLY AS SHOWN.
TOTAL WEIGHT OF ASSEMBLY SHOWN IS 6,500 lbs.

- PB466-L30-08, 30" LOWER SECTION, WT. 4,325 lbs.
- PB466-T12-08P, 12" TOP SECTION, W/F466-PB-BD
- ANGLE FRAME CAST-IN, WT. 1,750 lbs.
- CA466-PRWV, 3 PIECE PARKWAY COVER (SC466-RD) W/ (2) LOOSE I-BEAM (SCB466-247), (12) 1/2"-13NC x 2 1/2" S.S.H.H. BOLT FOR BOLT DOWN, (6) FLUSH LIFT HANDLE, PAINTED RED, WT. 425 lbs.
- 12" x 12" PIPE SLOT K.O. x 5" DEEP, LOCATE AS FOLLOWS:
LOWER SECTION (2) SHELL MTD.

GENERAL NOTES:

- Minimum soil bearing capacity is hereby assumed to be 2000 PSF unless otherwise documented by a geotechnical report that shall be provided to Jensen Precast by the end user. Jensen Precast shall not be held responsible for the soil bearing capacity.
- Installation of Manholes, Vaults, Handholes, Meter Boxes etc. will be as per Jensen installation procedures.
- Structural modification to the Jensen line of products is not permitted without prior written approval from Jensen Engineering Department.
- Do not scale the drawings, verify all dimensions including rough openings, if any discrepancies are found, notify the Jensen Engineer immediately.
- The Jensen Engineer will interpret the intent of the drawings in case of possible conflict or discrepancy.
- Permissible Variations: Dimensional Tolerances – The length, width, height, or dia. measurements of the structure when measured on the inside surfaces shall not deviate from design dimensions by more than the following:
Dimensions: Tolerance:
0 to 5 Feet 1/4"
5 to 10 Feet 3/8"
10 to 20 Feet as agreed upon between the supplier and purchaser.
- Squareness Tolerance: The inside of the precast concrete component shall be square as determined by diagonal measurements. The difference between such measurements shall not exceed the following:
Measured Length: Allowable Difference
0 to 10 Feet 1/2"
10 to 20 Feet 3/4"
20 Feet and over as agreed upon between the supplier and purchaser.



MINIMUM EXCAVATION SIZE:
6'-0" x 8'-6" x DEPTH REQD.

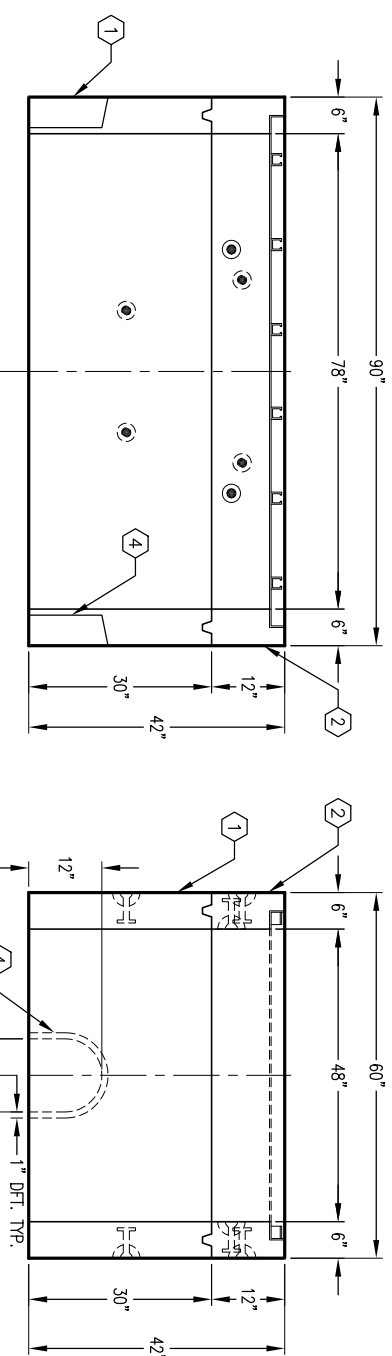
K466-FH42-08P

PER CUSTOMER SPECS.

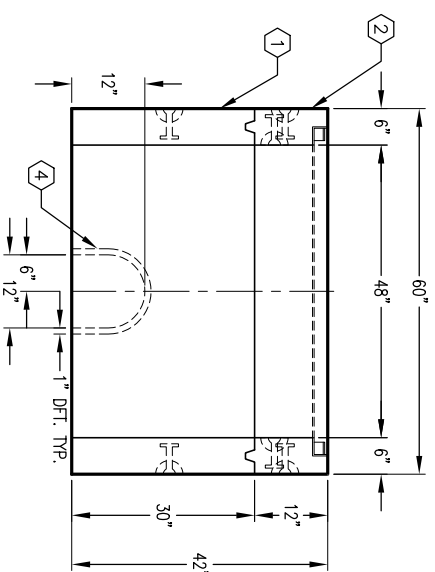
03-01-02



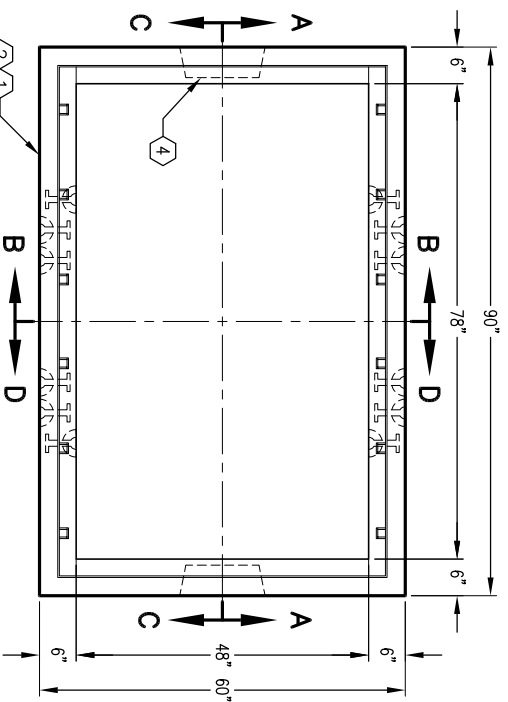
AUTOCAD REL. 14



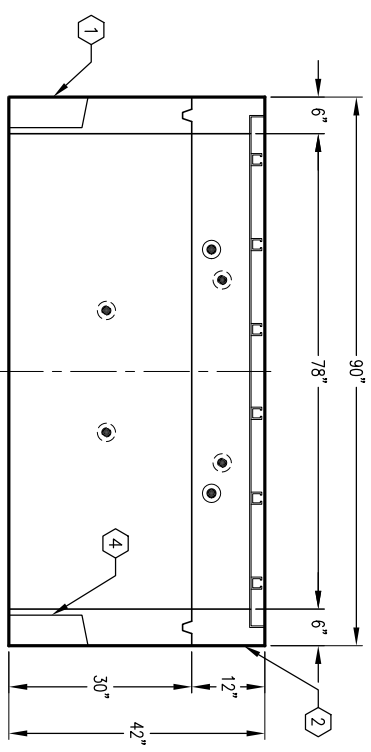
SECTION A-A



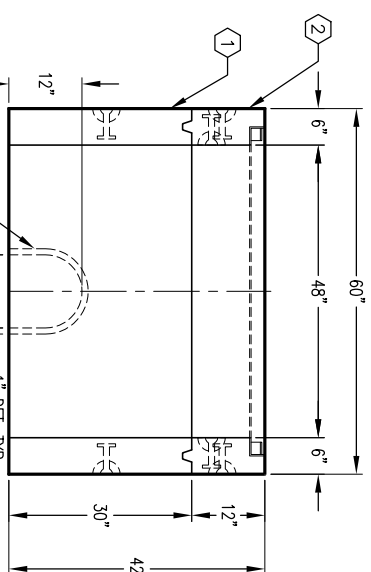
SECTION B-B



PLAN VIEW



SECTION C-C



SECTION D-D



K466-FH42-08P

PER CUSTOMER SPECS.

03-01-02

#	DATE	DESCRIPTION	BY