

2'-0" X 3'-0" PARKWAY WATER BOX X 33" DEEP

NOTES:

- HANDHOLE DESIGNED IN ACCORDANCE WITH AASHTO H-20-44 TRAFFIC BRIDGE LOADING USING 5,500 PSI [37.92MPa] COMPRESSIVE STRENGTH CONCRETE AND 60,000 PSI 413.2MPa] YIELD STRENGTH ASTM A-706 STEEL REINFORCEMENT PER CALC. #
- COVER DESIGNED FOR PARKWAY LOADING @ 300 P.S.F. PER CALC. #31352.
- HANDHOLE TO BE PLACED ON A MIN. 6" BASE OF CRUSHER RUN FOR EASE OF INSTALLATION AND EVEN LOAD DISTRIBUTION.

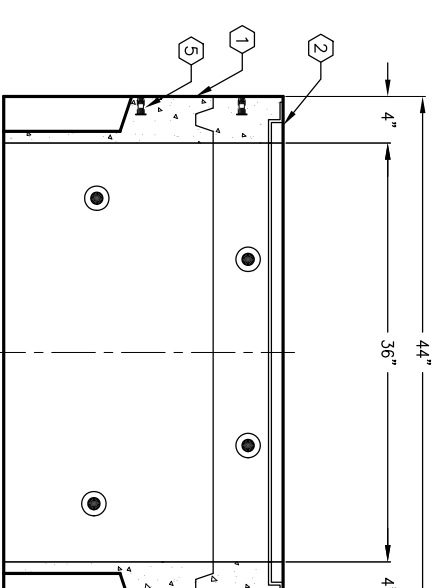
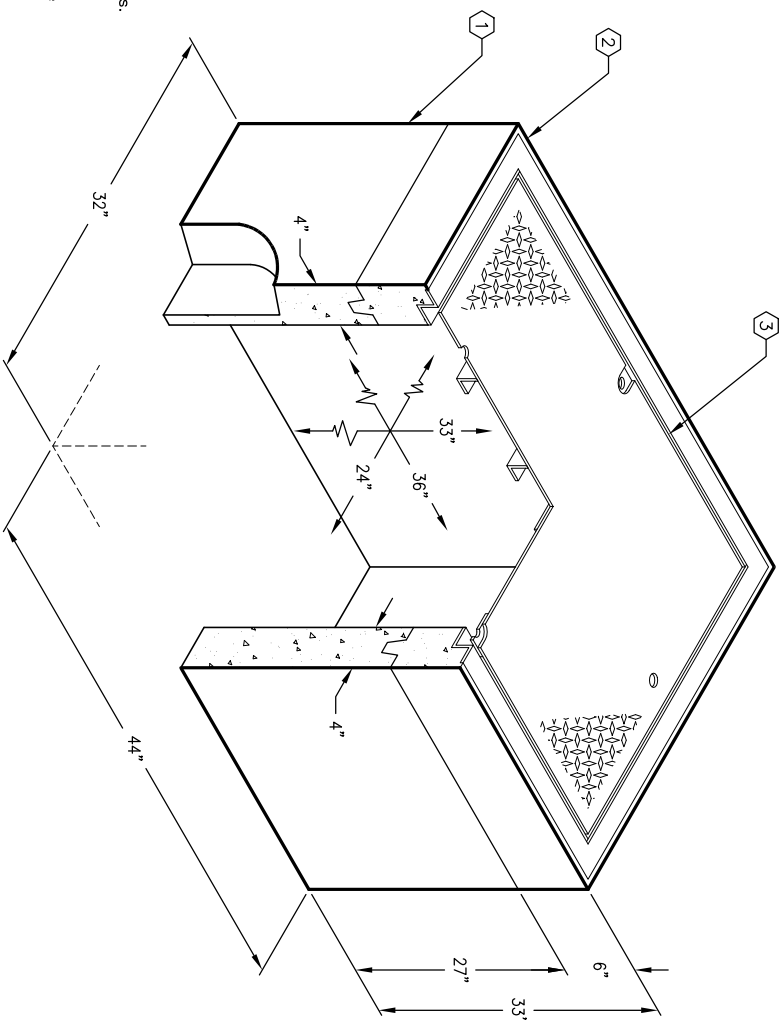
ORDERING INFORMATION:

K2436-FH33-08P FOR ASSEMBLY AS SHOWN.
TOTAL WEIGHT OF ASSEMBLY SHOWN IS 1,700 Lbs.

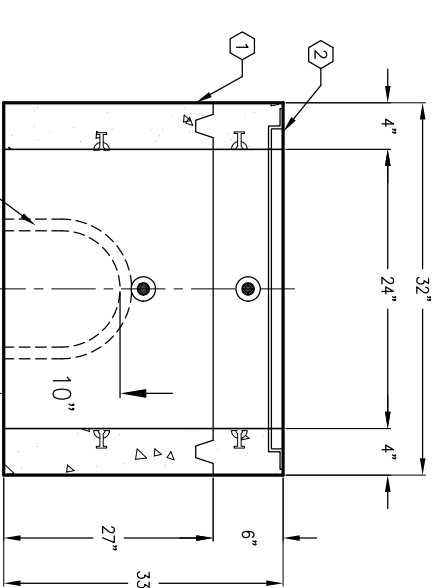
1. PB2436F-L27-08 27" LOWER SECTION. WT. 1300 lbs.
2. PB2436-16F. 6" TOP SECTION W/ F2436-PB-ANG GALV. CAST-IN FRAME. WT 254 lbs.
3. SC2436-PRD. ONE PIECE PARKWAY COVER. INCLUDES (2) PICK HOLES, (2) BOLT DOWNS W/(4) 1/2"-13NC S.H.H.S.S. BOLTS, RED OXIDE PRIMER FINISH. WT. 149 lbs.
4. 10" x 10" K.O. x 3" DEEP. LOWER SECTION (2) SHELL MTD. 1/2" P-36-T INSERT. TOP SECTION (2) SHELL MTD.; LOWER SECTION (2) SHELL MTD.
5. 10" x 10" K.O. x 3" DEEP. LOWER SECTION (2) SHELL MTD. 1/2" P-35-T INSERT W/CLEAN-OUT HOLE. TOP SECTION (4) SHELL MTD.

GENERAL NOTES:

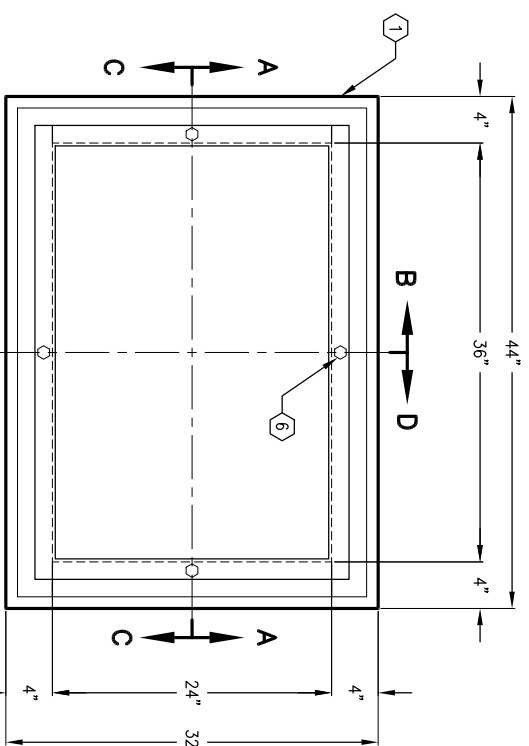
1. Minimum soil bearing capacity is hereby assumed to be 2000 PSF unless otherwise documented by a geotechnical report that shall be provided to Jensen Precast by the end user. Jensen Precast shall not be held responsible for the soil bearing capacity. Installation of Manholes, Vaults, Handholes, Meter Boxes etc. will be as per Jensen installation procedures.
2. Structural modification to the Jensen line of products is not permitted without prior written approval from Jensen Engineering Department.
3. Do not scale the drawings, verify all dimensions including rough openings, if any discrepancies are found, notify the Jensen Engineer immediately.
4. The Jensen Engineer will interpret the intent of the drawings in case of possible conflict or discrepancy.
5. Permissible Variations: Dimensional Tolerances – The length, width, height, or dia. measurements of the structure when measured on the inside surfaces shall not deviate from design dimensions by more than the following:
Tolerance:
0 to 5 Feet 1/4"
5 to 10 Feet 3/8"
10 to 20 Feet as agreed upon between the supplier and purchaser.
Squareness Tolerance: he inside of the precast concrete component shall be square as determined by diagonal measurements. The difference between such measurements shall not exceed the following:
Measured Length: Allowable Difference
0 to 10 Feet 1/2"
10 to 20 Feet 3/4"
20 Feet and over as agreed upon between the supplier and purchaser.



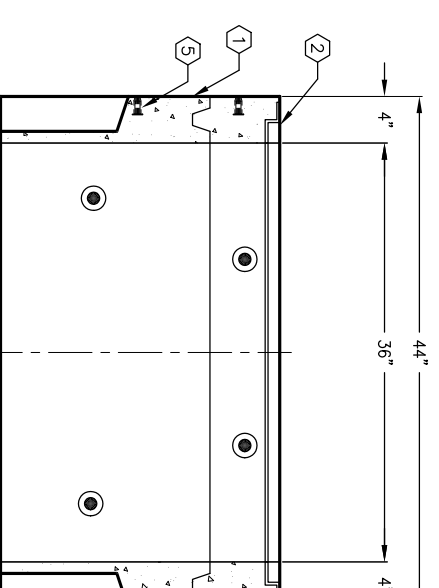
SECTION A-A



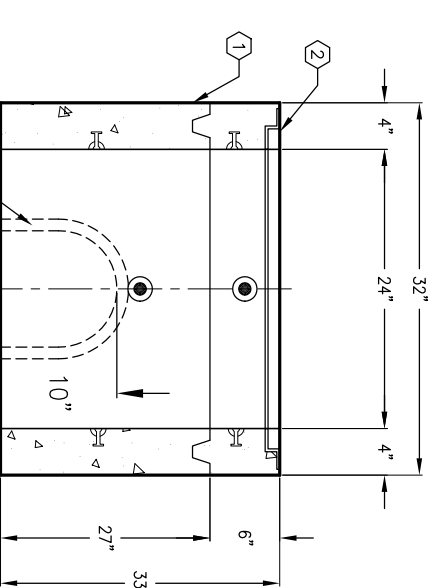
SECTION B-B



PLAN VIEW



SECTION C-C



SECTION D-D



AUTOCAD REL. 14

K2436-FH33-08P

SECONDARY

03-01-02



#	DATE	DESCRIPTION	BY

K2436-FH33-08P

SECONDARY

03-01-02