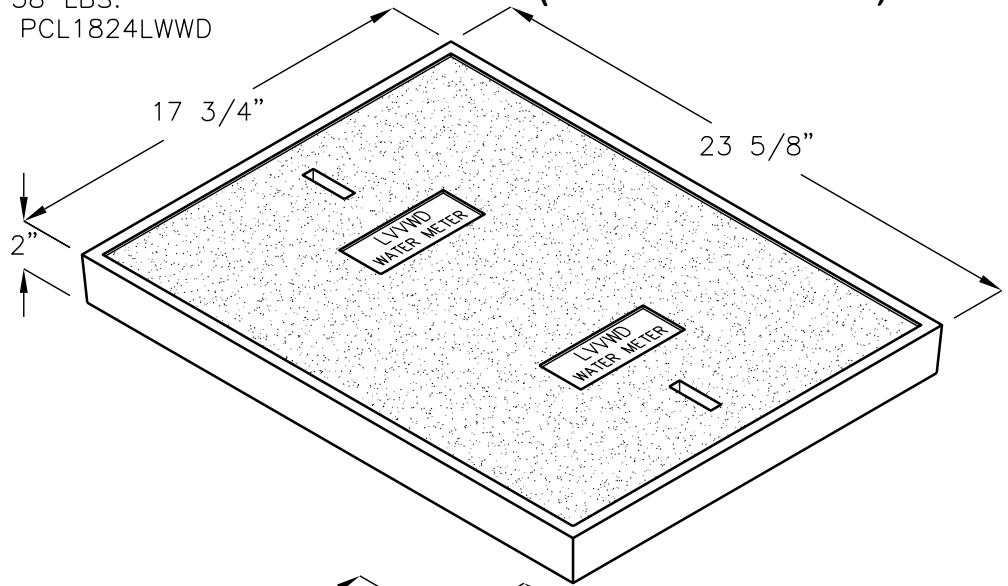


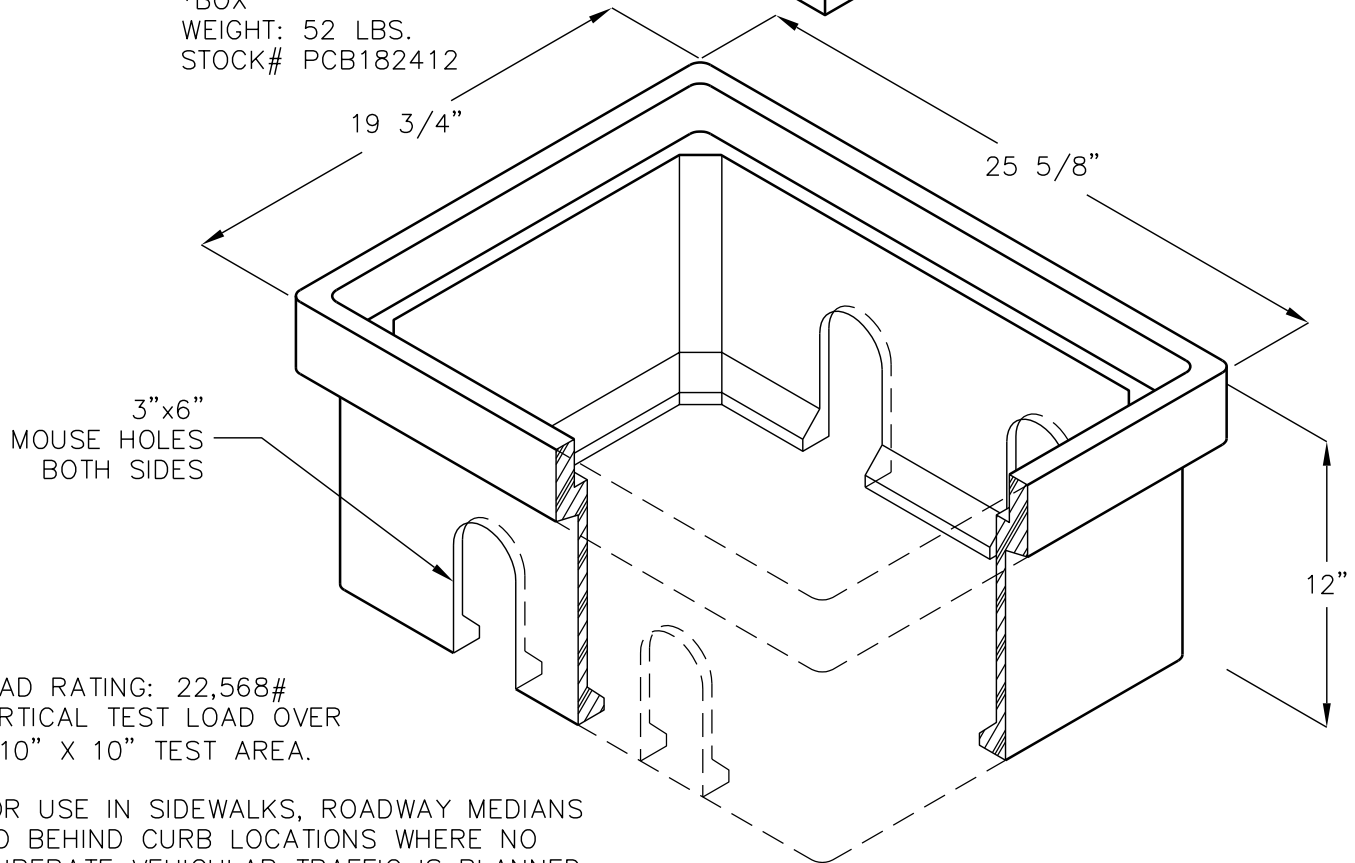
LVVWD POLYMER DUAL METER BOX

18" x 24" x 12"
(INSIDE DIMENSIONS)

*POLYMER LID
WEIGHT 58 LBS.
STOCK# PCL1824LWWD



*BOX
WEIGHT: 52 LBS.
STOCK# PCB182412



LOAD RATING: 22,568#
VERTICAL TEST LOAD OVER
A 10" X 10" TEST AREA.

*FOR USE IN SIDEWALKS, ROADWAY MEDIANS
AND BEHIND CURB LOCATIONS WHERE NO
DELIBERATE VEHICULAR TRAFFIC IS PLANNED.
METERS PLACED IN ROLL CURBS OR
DRIVEWAYS REQUIRE TRAFFIC RATED BOX
AND LID.

FOR COMPLETE DESIGN
AND PRODUCT INFORMATION,
CONTACT JENSEN PRECAST.

WHEN ORDERING:
STANDARD LVVWD 1622 KIT INCLUDES
BOX AND LID AS SHOWN. ITEMS MAY
BE ORDERED INDIVIDUALLY FOR
REPLACEMENT. REFER TO INDIVIDUAL
STOCK NUMBER WHEN ORDERING.