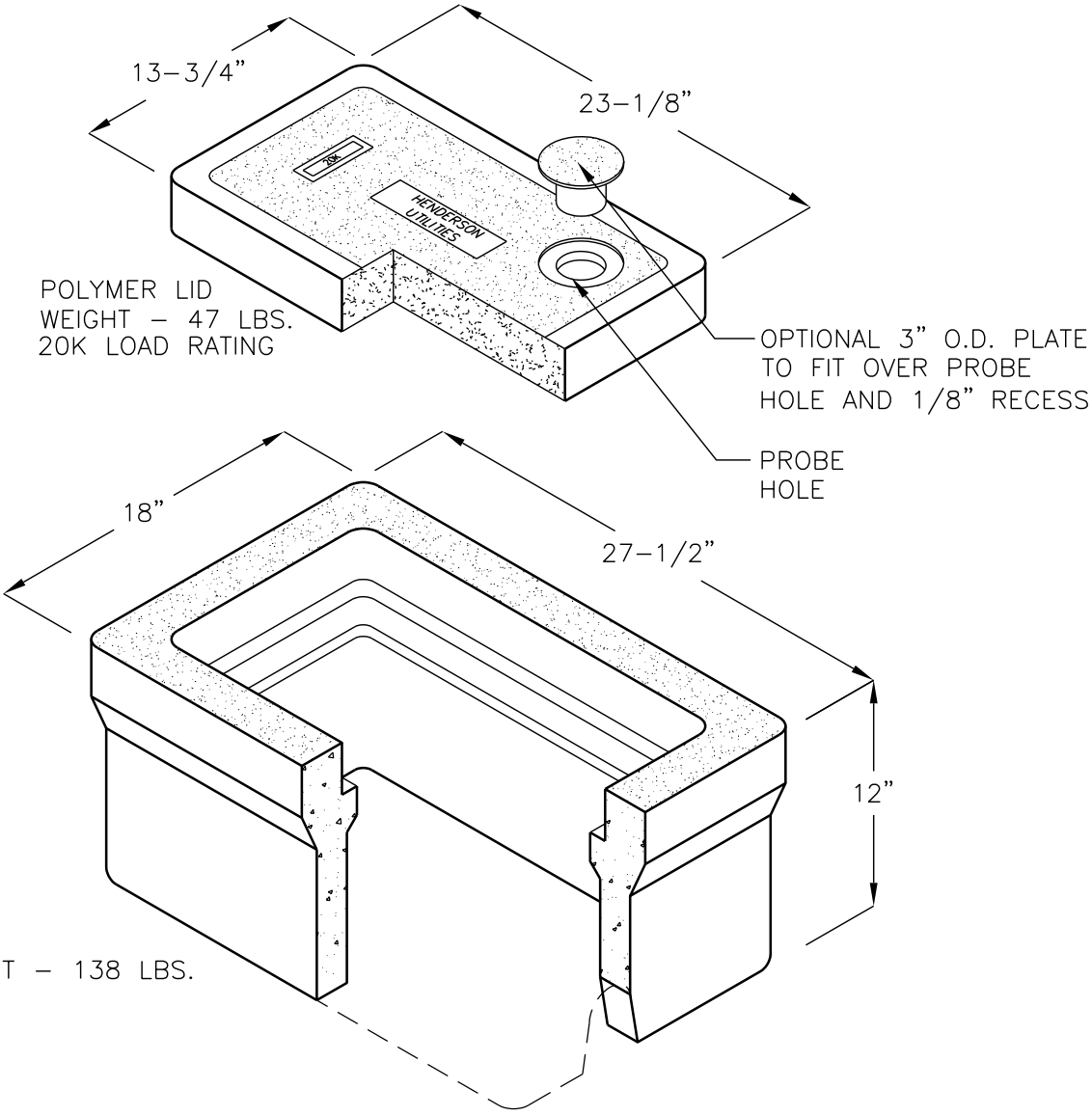


CITY OF HENDERSON 1" WATER METER BOX

B30 BOX W/POLYMER PROBE LID



FOR COMPLETE DESIGN
AND PRODUCT INFORMATION
CONTACT JENSEN PRECAST.

FOR USE IN BEHIND CURB
NON-TRAFFIC LOCATIONS.
METERS PLACED IN ROLL
CURBS OR DRIVEWAYS
REQUIRE OPTIONAL 20k
RATED POLYMER LID.