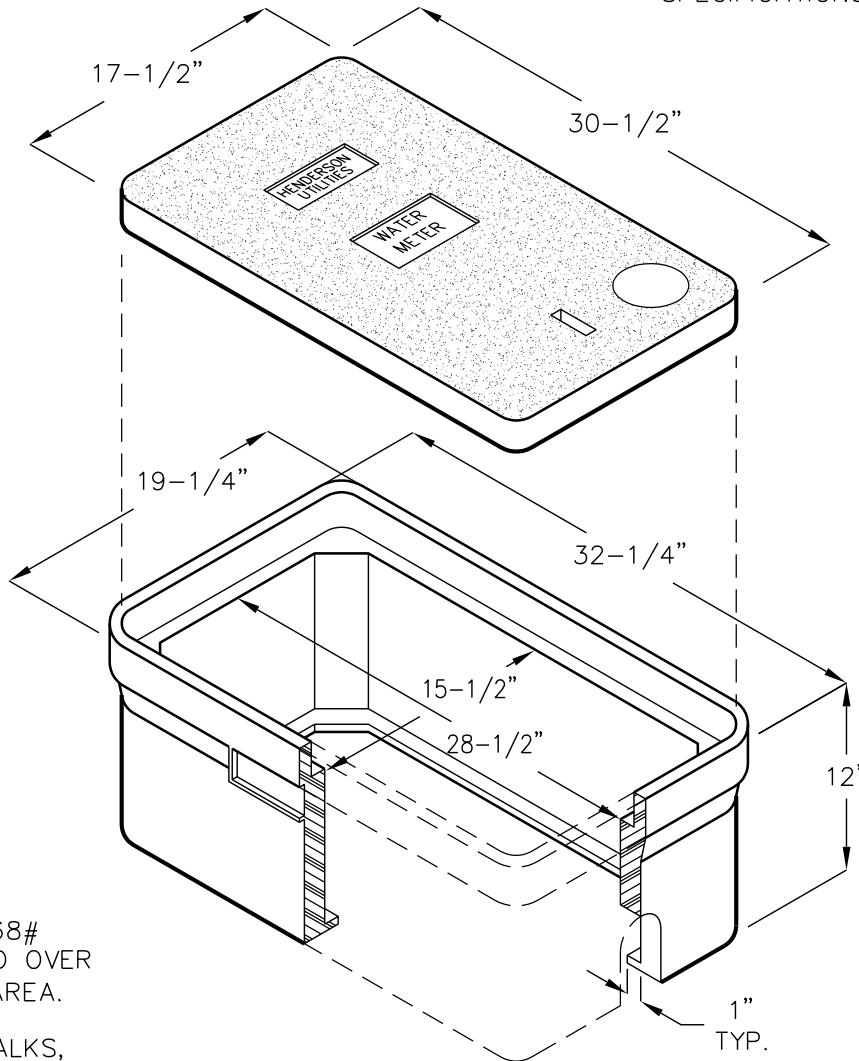


CITY OF HENDERSON 1 1/2"-2" POLYMER WATER METER BOX

17" x 30" x 12"
(INSIDE DIMENSIONS)

MEETS CITY OF HENDERSON
SPECIFICATIONS



*POLYMER LID
74 LBS.
STOCK # PCL1730G

*BOX 92 LBS.
STOCK # PCB173012

LOAD RATING: 22,568#
VERTICAL TEST LOAD OVER
A 10" X 10" TEST AREA.

*FOR USE IN SIDEWALKS,
ROADWAY MEDIANS AND
BEHIND CURB LOCATIONS
WHERE NO DELIBERATE
VEHICULAR TRAFFIC IS
PLANNED. METERS PLACED
IN ROLL CURBS OR
DRIVEWAYS REQUIRE TRAFFIC
RATED BOX AND LID.

FOR COMPLETE DESIGN
AND PRODUCT INFORMATION,
CONTACT JENSEN PRECAST.

WHEN ORDERING:
Standard City of Henderson
1730 kit includes box & lid as
shown. Items may be ordered
individually for replacement.
Refer to individual stock number
when ordering.