

4'-0" X 4'-0" TRAFFIC WATER VAULT X 33" DEEP

NOTES:

- CONCRETE DESIGNED IN ACCORDANCE WITH AASHTO H-20-44 TRAFFIC LOADING USING 5,500 P.S.I. [37.92 MPa] COMPRESSIVE STRENGTH CONCRETE AND 60,000 P.S.I. [413.2 MPa] YIELD STRENGTH ASTM A-706 STEEL REINFORCING PER CALCS. #30649.
- COVER DESIGN IN ACCORDANCE WITH AASHTO H-20-44 LIGHT TRAFFIC PER CALCS. #31352.
- VAULT TO BE PLACED ON A 6" BASE OF CRUSHER RUN FOR EASE OF INSTALLATION AND EVEN LOAD DISTRIBUTION.

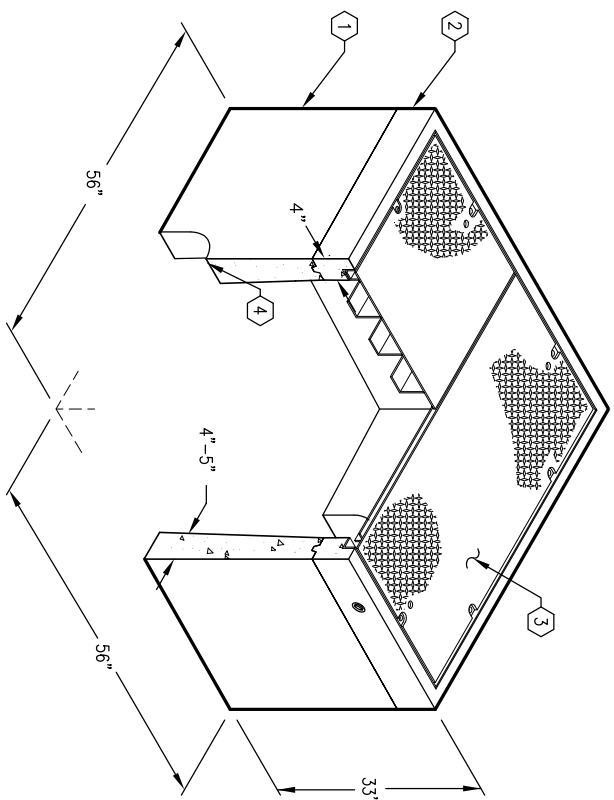
ORDERING INFORMATION:

K44-FH33-08T FOR ASSEMBLY AS SHOWN.
TOTAL WEIGHT OF ASSEMBLY AS SHOWN IS 2,744 lbs.

- 1. PB44F-L27-08, 27" LOWER SECTION, WT. 1,888 lbs.
- 2. PB44-T6F, 6" TOP SECTION, W/F44-PB-ANG GALV. ANGLE FRAME CAST-IN WT. 437 lbs.
- 3. SC44-TRD, TWO PIECE TRAFFIC COVER W/(8) 1/2" NC13 X 2 1/2" STAINLESS STEEL HEX HEAD BOLTS, BOLT-DOWNS, PICK HOLES, RED PRIMER FINISH, WT. 419 lbs.
- 4. 10" X 10" THRU SLOT. LOCATE AS FOLLOWS: LOWER SECTION (2) CORE MTD.
- 5. 1/2" P-35-T INSERT W/CLEAN-OUT HOLES. LOCATE AS FOLLOWS: TOP SECTION (8) FRAME MTD.

GENERAL NOTES:

1. Minimum soil bearing capacity is hereby assumed to be 2000 PSF unless otherwise documented by a geotechnical report that shall be provided to Jensen Precast by the end user. Jensen Precast shall not be held responsible for the soil bearing capacity.
2. Installation of Manholes, Vaults, Handholes, Meter Boxes etc. will be as per Jensen installation procedures.
3. Structural modification to the Jensen line of products is not permitted without prior written approval from Jensen Engineering Department.
4. Do not scale the drawings, verify all dimensions including rough openings, if any discrepancies are found, notify the Jensen Engineer immediately.
5. The Jensen Engineer will interpret the intent of the drawings in case of possible conflict or discrepancy.
6. Permissible Variations: - The length, width, height, or dia. measurements of the structure when measured on the inside surfaces shall not deviate from design dimensions by more than the following:
Dimensions: Tolerance:
0 to 5 Feet 1/4"
5 to 10 Feet 3/8"
10 to 20 Feet as agreed upon between the supplier and purchaser.
7. Squariness Tolerance: he inside of the precast concrete component shall be square as determined by diagonal measurements. The difference between such measurements shall not exceed the following:
Measured Length: Allowable Difference
0 to 10 Feet 1/2"
10 to 20 Feet 3/4"
20 Feet and over as agreed upon between the supplier and purchaser.



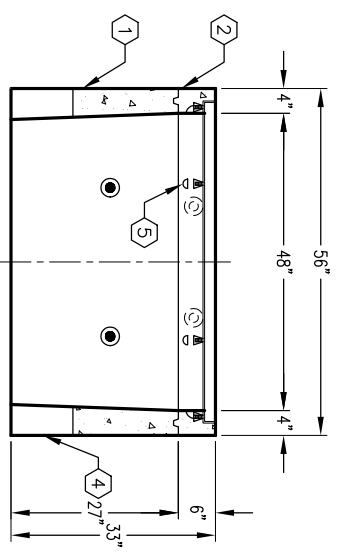
MINIMUM EXCAVATION SIZE:
5'-2" x 5'-2" x DEPTH REQ'D.

K44-FH33-08T

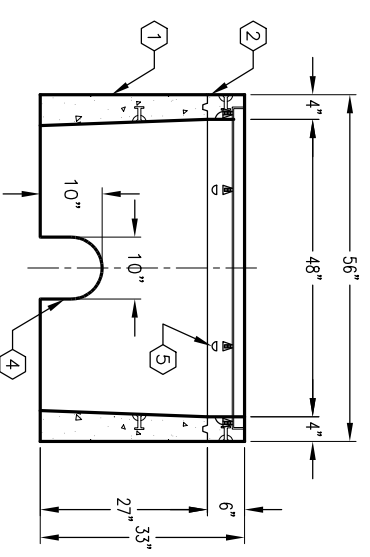
03-01-02



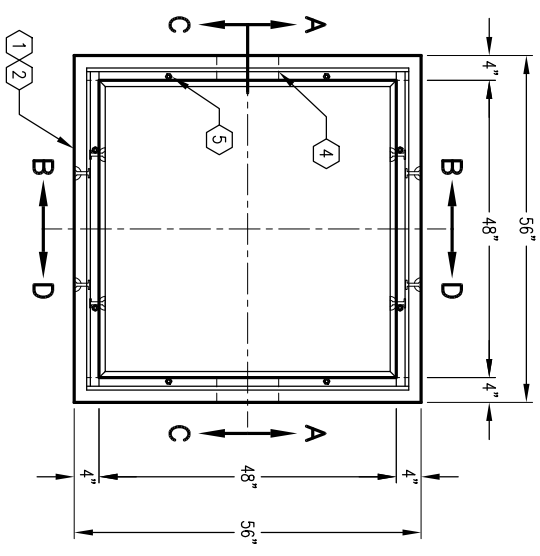
AUTOCAD REL. 14



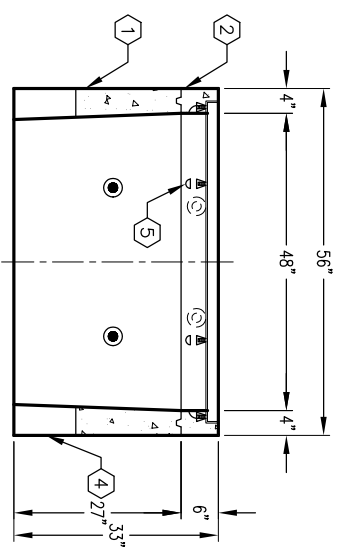
SECTION A-A



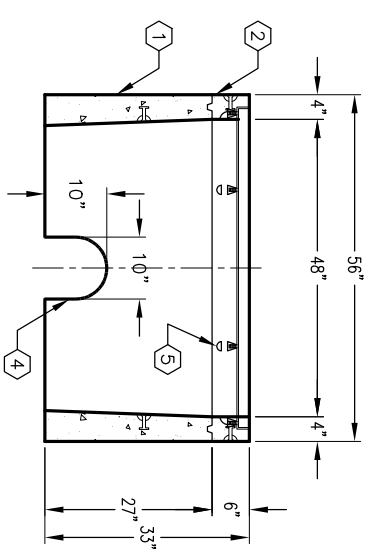
SECTION B-B



PLAN VIEW



SECTION C-C



SECTION D-D



K44-FH33-08T

03-01-02

#	DATE	DESCRIPTION	BY