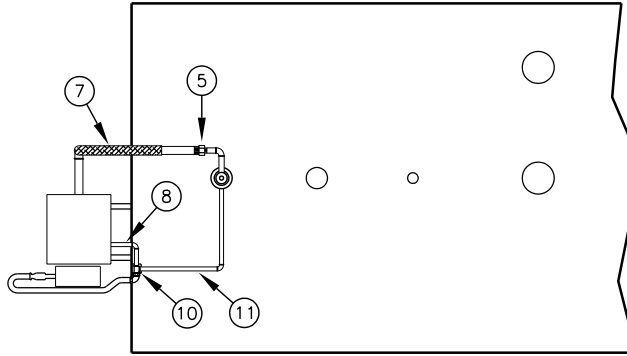
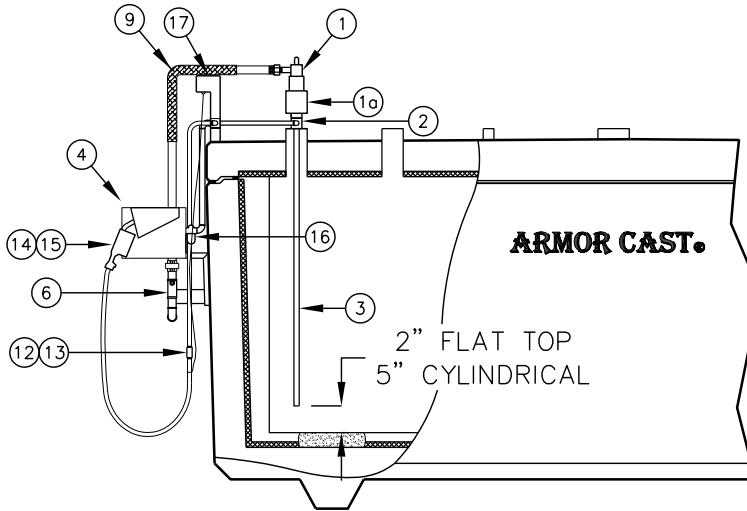


AST PUMP PACKAGE NO. 2

ECONOMY SIDE MOUNT PUMP PACKAGE



PLAN VIEW



ELEVATION
(CUTAWAY)

PACKAGE NO.
FKP-DF-18-S
FKP-DF-30-S
FKP-GF-18-S
FKP-GF-30-S
FKP-DF-20-S

NO.	DESCRIPTION					
1	1" OR 1 1/2" ANTI-SIPHON VALVE	•	•	•	•	•
1a	2" x 1" OR 1 1/2" DOUBLE TAP	•	•	•	•	•
2	2" x 2" x 3/4" TEE	•	•	•	•	•
3	1" OR 1 1/2" DIA. SUCTION PIPE	•	•	•	•	•
4	FILL-RITE 702 (STANDARD), 303 (MED), 311 (HIGH)	•	•	•	•	•
5	1" OR 1 1/2" BALL VALVE	•	•	•	•	•
6	1" OR 1 1/2" DIA. SAFETY / SHEAR VALVE (OPTIONAL)	0	0	0	0	0
7	1" OR 1 1/2" DIA. SUPPLY PIPE TO PUMP (SCHEDULE 40)	•	•	•	•	•
8	3/4" DIA. SUPPLY PIPE TO ADAPTER (SCHEDULE 40)	•	•	•	•	•
9	1" OR 1 1/2" DIA. STAINLESS STEEL FLEX CONNECTOR (OPTIONAL)	0	0	0	0	0
10	VAPOR RECOVERY COAXIAL ADAPTER	•	•	•	•	•
11	3/4" DIA. VAPOR RETURN LINE (SCHEDULE 40) INTO TEE	•	•	•	•	•
12	3/4" OR (1" HIGH SPEED) DIA. HOSE, SWIVEL, AND BREAKAWAY	•	•	•	•	•
13	COAXIAL HOSE, SWIVEL, AND BREAKAWAY	•	•	•	•	•
14	AUTO NOZZLE FOR DIESEL	•	•	•	•	•
15	STAGE II VAPOR RECOVERY AUTO NOZZLE	•	•	•	•	•
16	3/4" OR (1" HIGH SPEED) FILTER OR FILTER BLOCK	•	•	•	•	•
17	HIGH HOSE RETRACTOR W/ STAND	•	•	•	•	•

1. STANDARD SPEED – 1/3 H.P. ECONOMY SIDE MOUNT PUMP PACKAGE.

2. MEDIUM SPEED – 1/2 H.P. ECONOMY SIDE MOUNT PUMP PACKAGE.

3. HIGH SPEED – 1 1/2" H.P. HEAVY DUTY ECONOMY SIDE MOUNT PUMP PACKAGE.

FOR COMPLETE DESIGN AND PRODUCT INFORMATION, CONTACT JENSEN PRECAST.