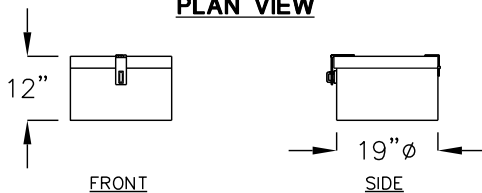
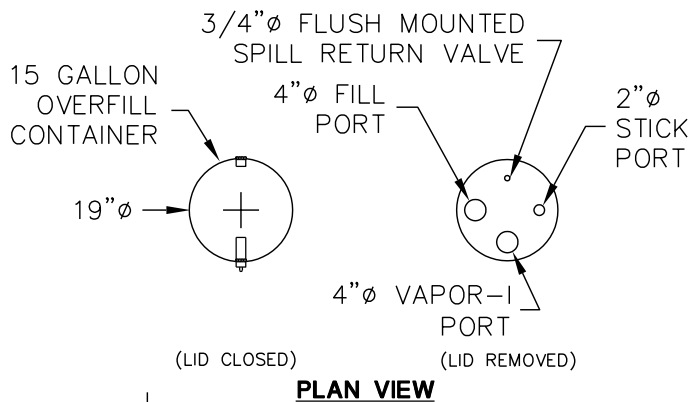
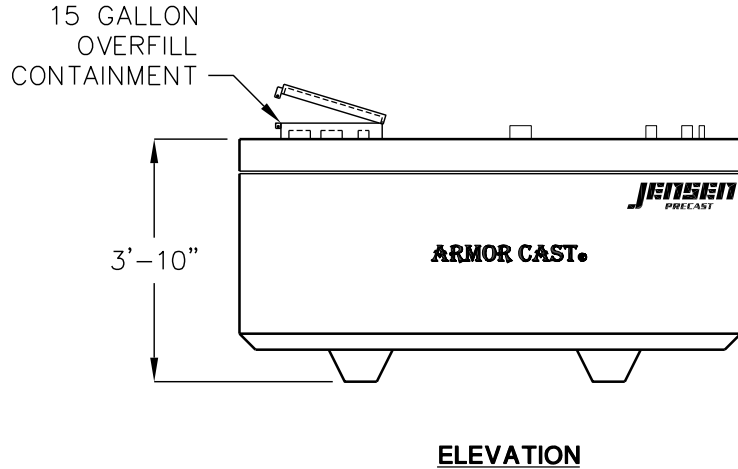
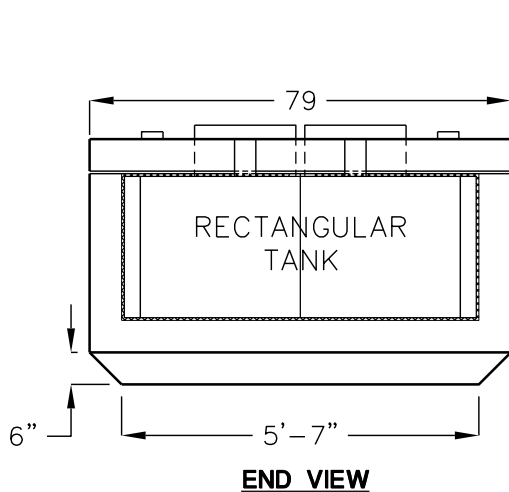


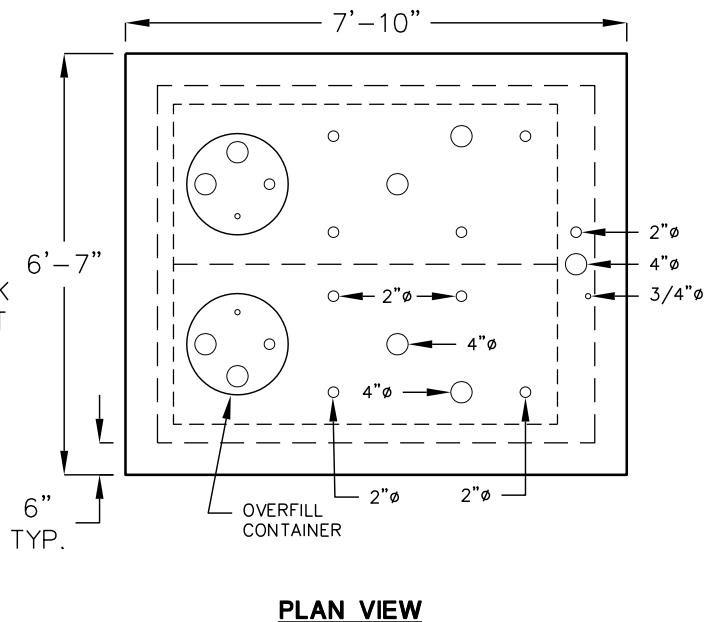
# ARMOR CAST®

## AST SPLIT 500 LP

500 GALLON LOW PROFILE  
ABOVE GROUND DUAL PRODUCT  
STORAGE TANK  
UL2085 PROTECTED TYPE



**SPILL CONTAINER**  
(OPTIONAL)



1. RECTANGULAR STEEL TANK IS 3/16" THICK, UL142 LISTED.
2. OPTIONAL EXTERIOR FINISH MAY BE EPOXY, OR EXPOSED AGGREGATE.
3. APPROXIMATE WEIGHT IS 12,000 LBS.
4. LID IS CROWNED 1/2"± TO FACILITATE DRAINAGE.
5. ALL PIPE NIPPLES ARE SCHEDULE 40, NPT.
6. TOP OF CONCRETE TANK TO RECEIVE NON-SLIP FINISH.

FOR COMPLETE DESIGN  
AND PRODUCT INFORMATION  
CONTACT JENSEN PRECAST.  
U.S.A. AND CANADA PATENTED SYSTEM