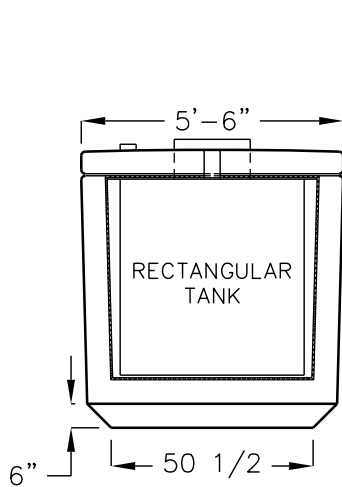


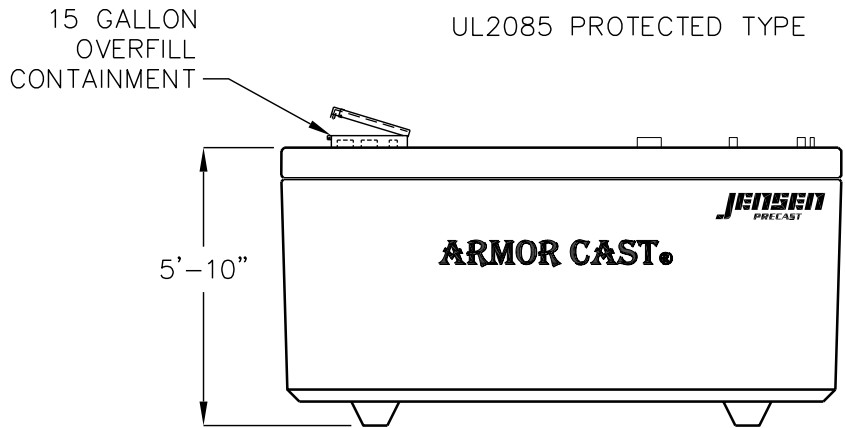
ARMOR CAST®

AST 1000 1000 GALLON ABOVE GROUND STORAGE TANK

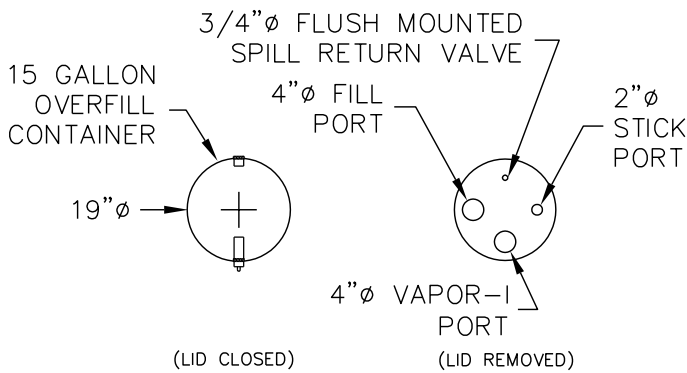
UL2085 PROTECTED TYPE



END VIEW



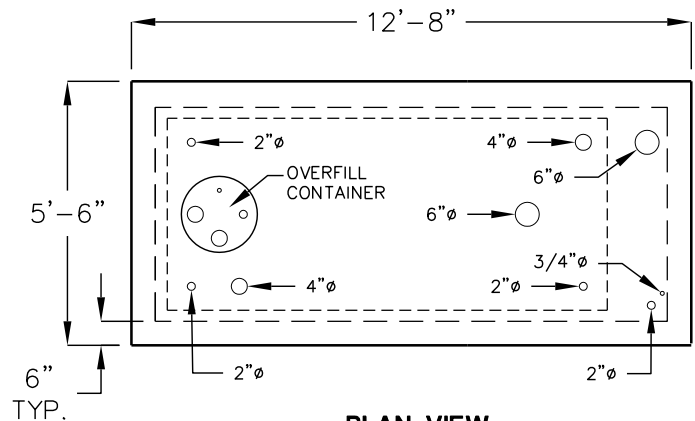
ELEVATION



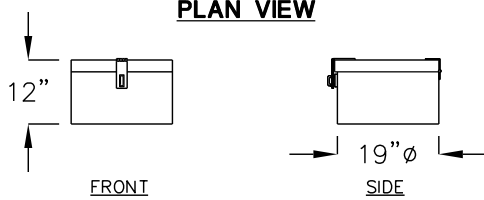
(LID CLOSED)

(LID REMOVED)

PLAN VIEW



PLAN VIEW



FRONT

SIDE

SPILL CONTAINER

(OPTIONAL)

1. RECTANGULAR STEEL TANK IS 3/16" THICK, UL142 LISTED.
2. OPTIONAL EXTERIOR FINISH MAY BE EPOXY, OR EXPOSED AGGREGATE.
3. APPROXIMATE WEIGHT IS 24,500 LBS.
4. LID IS CROWNED 1/2"± TO FACILITATE DRAINAGE.
5. ALL PIPE NIPPLES ARE SCHEDULE 40, NPT.
6. TOP OF CONCRETE TANK TO RECEIVE NON-SLIP FINISH.

FOR COMPLETE DESIGN
AND PRODUCT INFORMATION
CONTACT JENSEN PRECAST.
U.S.A. AND CANADA PATENTED SYSTEM