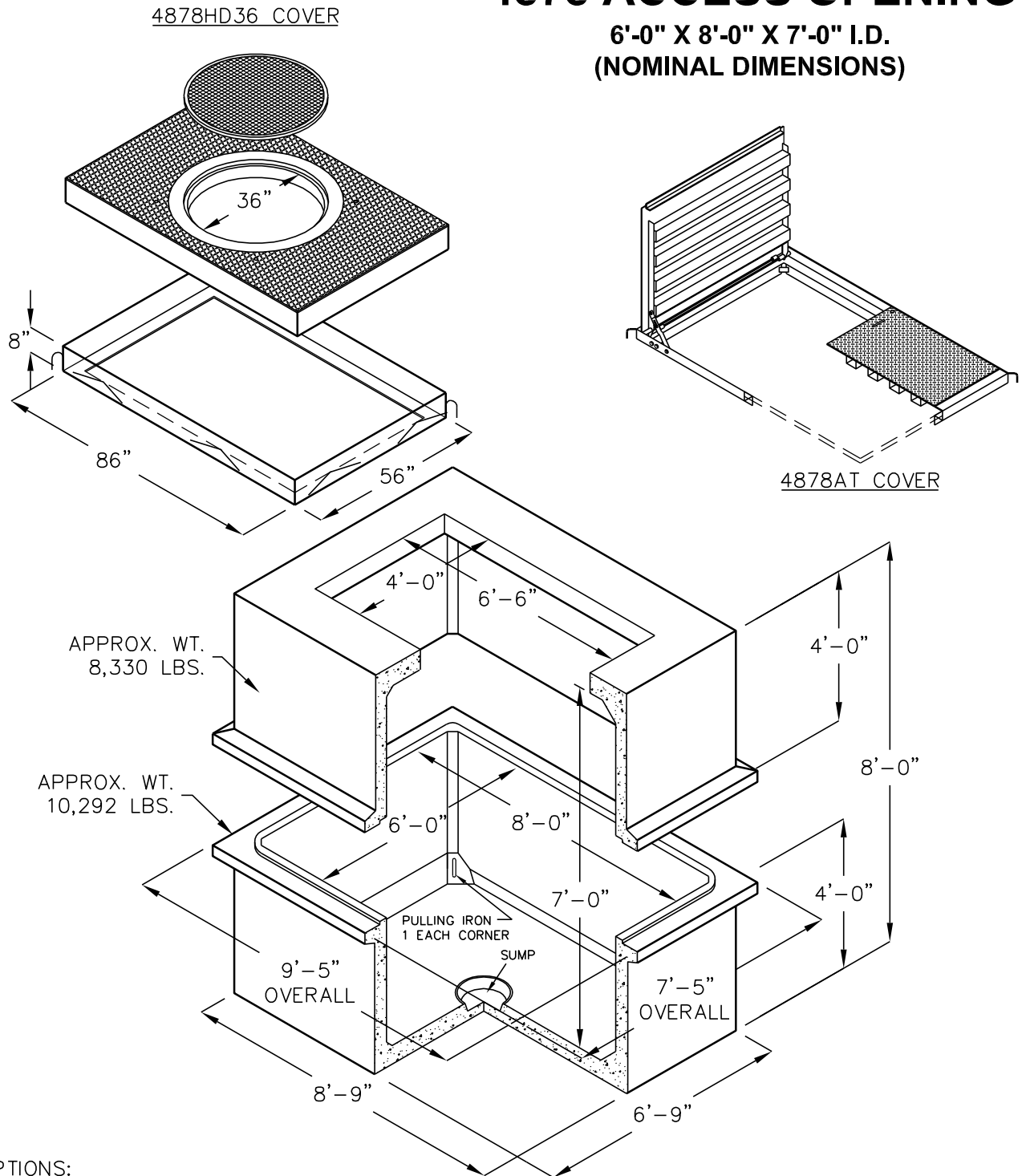


# 687 BLANK 4878 ACCESS OPENING

6'-0" X 8'-0" X 7'-0" I.D.  
(NOMINAL DIMENSIONS)



COVER OPTIONS:  
ADJUSTABLE TORSION SPRING ASSISTED COVER: 300 PSF PEDESTRIAN -OR-  
INCIDENTAL H-20 TRAFFIC SUITABLE FOR OFF STREET LOCATIONS AWAY FROM HIGH DENSITY TRAFFIC.

4878HD 36 COVER: H-20 TRAFFIC.

FOR COMPLETE DESIGN AND PRODUCT INFORMATION  
CONTACT JENSEN PRECAST.