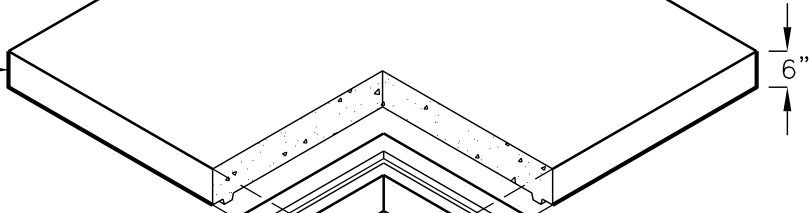


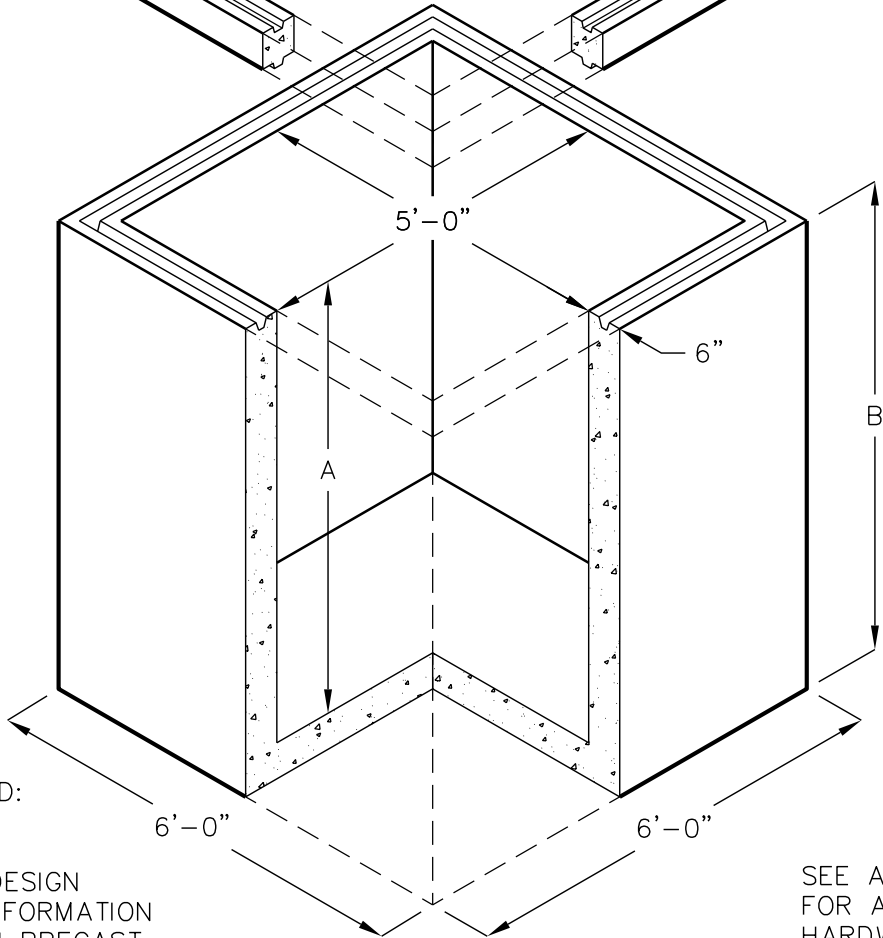
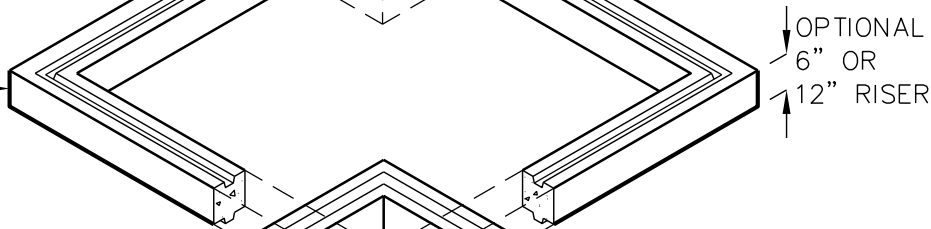
MODEL 6060-U

60" INSIDE WIDTH x 60" INSIDE LENGTH

APPROX. WT.
2700 lbs.



APPROX. WT.
825 lbs. (6") OR
1650 lbs. (12")



BOX DESIGN LOAD:
H2O TRAFFIC

FOR COMPLETE DESIGN
AND PRODUCT INFORMATION
CONTACT JENSEN PRECAST.

SEE ACCESSORIES SECTION
FOR ACCESS OPENINGS AND
HARDWARE APPLICATIONS.

MODEL	A	B	INSIDE VOLUME		APPROX. WT.
6060U-48	4'-0"	4'-6"	100 CU. FT.	748 GAL.	9300 LBS.
6060U-60	5'-0"	5'-6"	125 CU. FT.	935 GAL.	10950 LBS.
6060U-72	6'-0"	6'-6"	150 CU. FT.	1110 GAL.	12600 LBS.