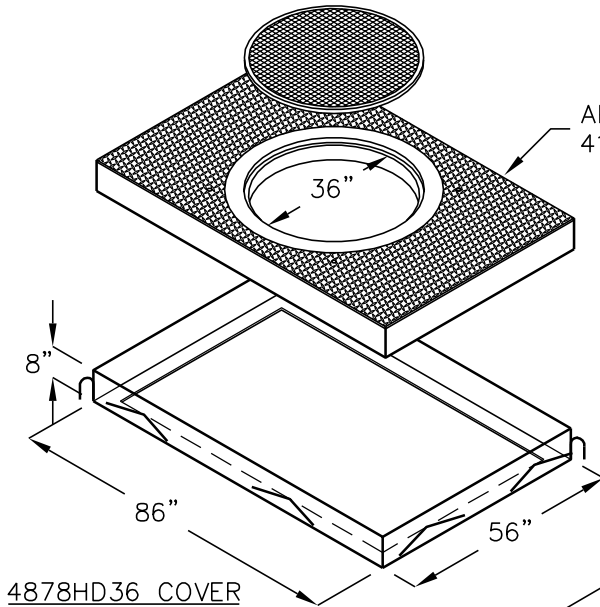


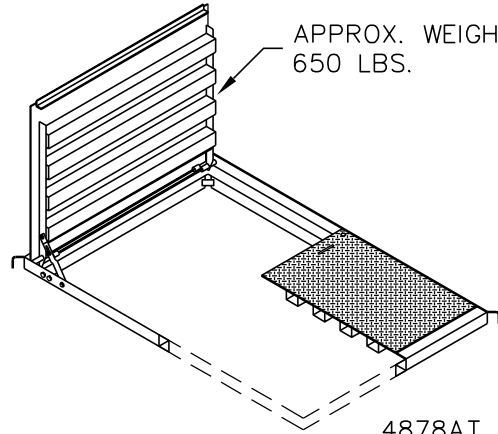
MODEL 4878-U

FULL AND INCIDENTAL TRAFFIC COVER OPTIONS
4'-0" X 6'-6" X 3'-0" I.D.
(NOMINAL DIMENSIONS)



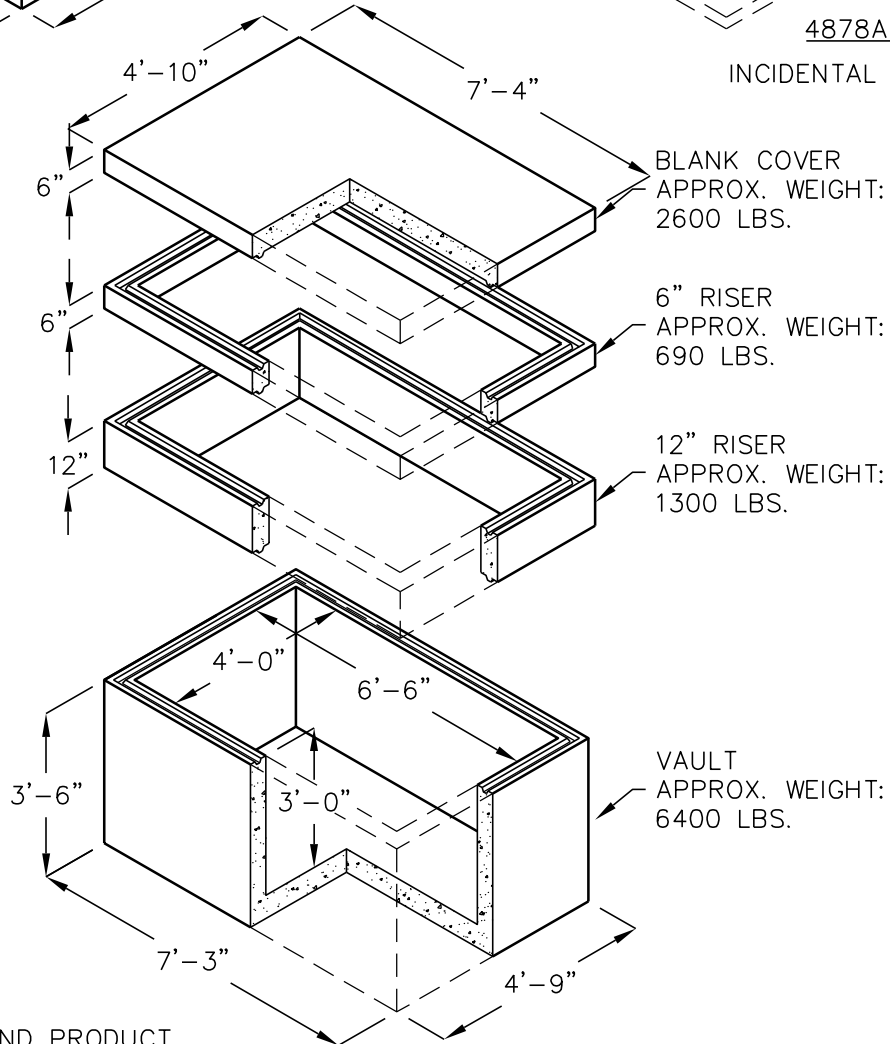
APPROX. WEIGHT
4100 LBS.

4878HD36 COVER
H-20 TRAFFIC



APPROX. WEIGHT
650 LBS.

4878AT COVER
INCIDENTAL H-20 TRAFFIC



BLANK COVER
APPROX. WEIGHT:
2600 LBS.

6" RISER
APPROX. WEIGHT:
690 LBS.

12" RISER
APPROX. WEIGHT:
1300 LBS.

VAULT
APPROX. WEIGHT:
6400 LBS.

FOR COMPLETE DESIGN AND PRODUCT
INFORMATION, CONTACT JENSEN PRECAST.