

35 TID VAULT

3'-0" X 5'-0" X 4'-6" I.D.

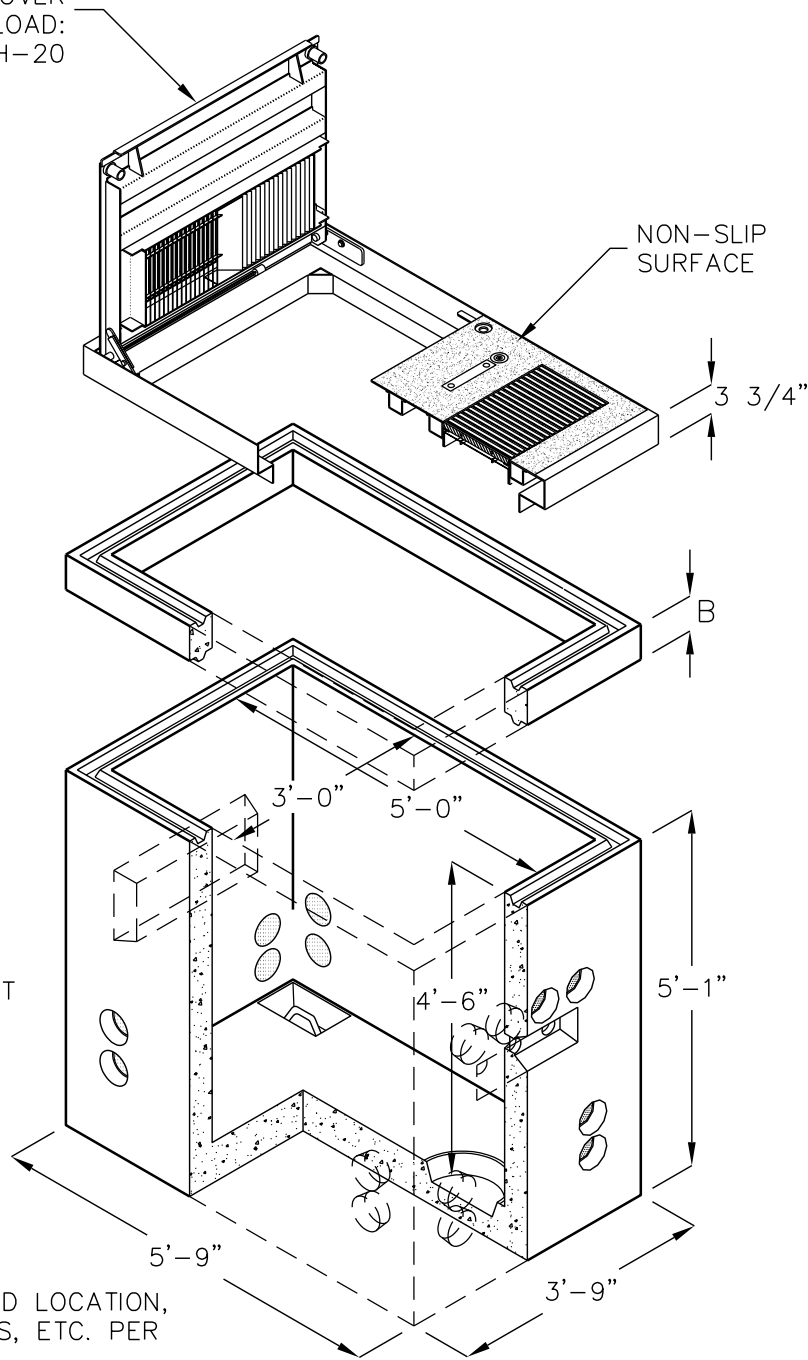
TURLOCK IRRIGATION
DISTRICT

QUICK RELEASE
ALUMINUM COVER
DESIGN LOAD:
INCIDENTAL H-20

COVER ONLY
T.I.D. 02-5603
APPROX. WEIGHT
619 LBS.

OPTIONAL RISERS (EXTENSIONS)		
MODEL NO.	B	WEIGHT
35-R4	4"	270 LBS.
35-R6	6"	420 LBS.
35-R8	8"	540 LBS.
35-R12	12"	835 LBS.

BOX ONLY
APPROX. WEIGHT
6359 LBS



DUCT TERMINATOR SIZE AND LOCATION,
KNOCKOUTS, PULLING IRONS, ETC. PER
CURRENT SPECIFICATIONS.

FOR COMPLETE DESIGN AND PRODUCT INFORMATION
CONTACT JENSEN PRECAST.