

FOR VEHICLE CONTROL AND CONSTRUCTION SITE SAFETY

- Reduce Crossover Accidents
- Reduce Liability Exposure
- Reduce Vehicle Damage
- Reduce Traffic Fatalities

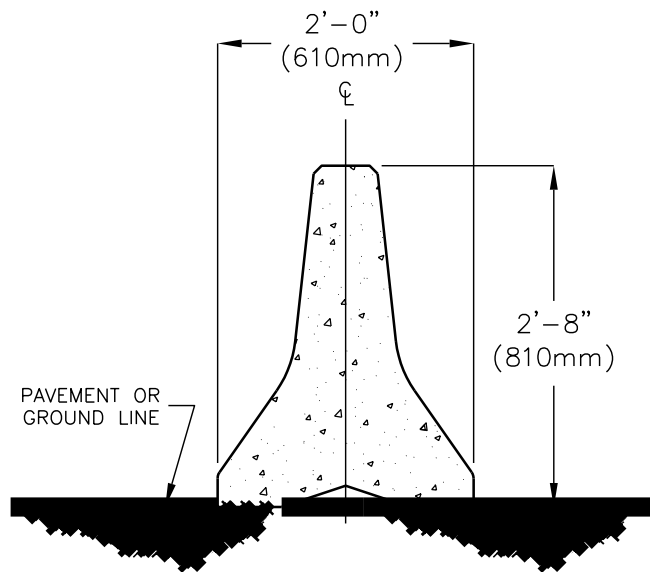
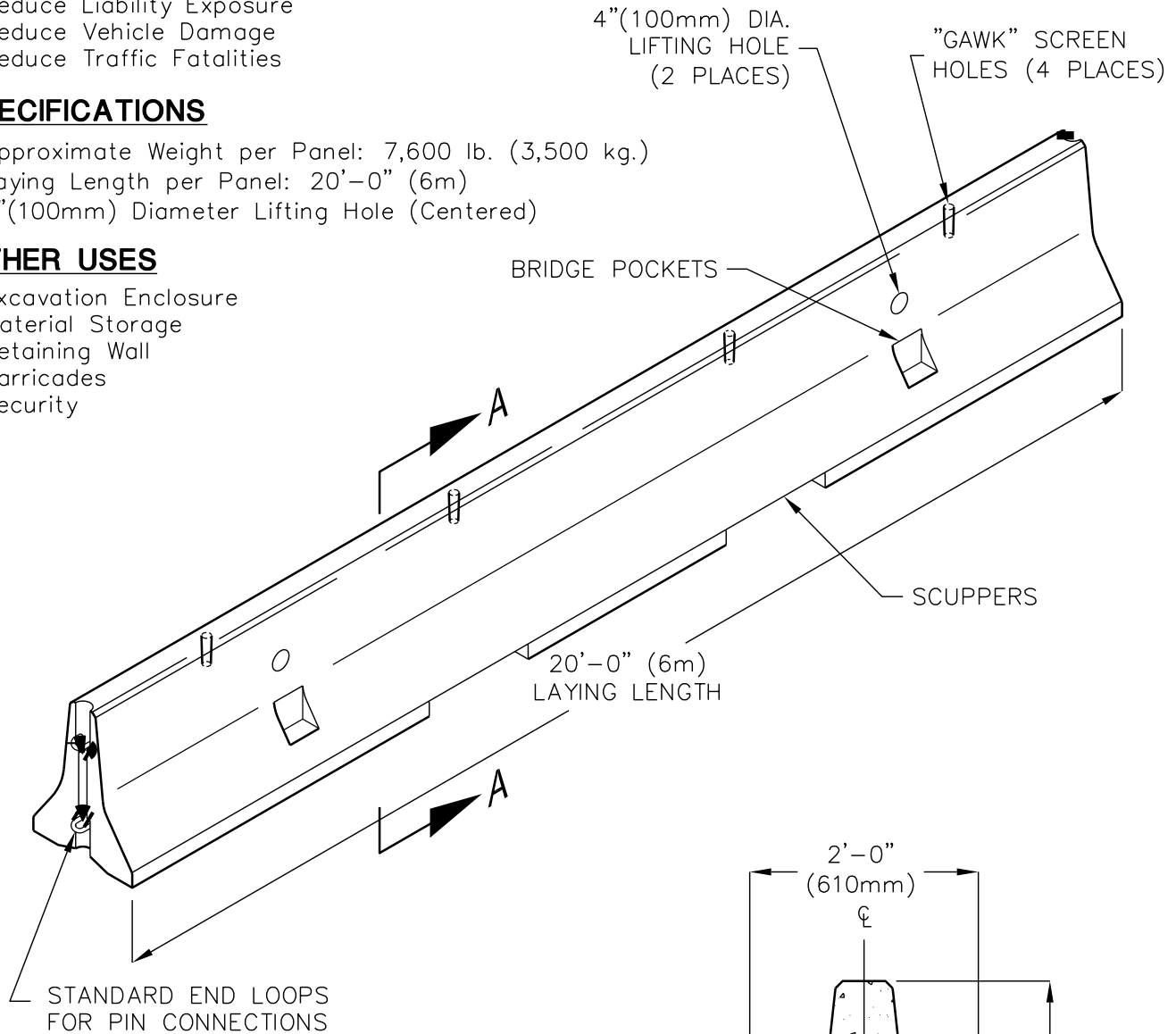
SPECIFICATIONS

- Approximate Weight per Panel: 7,600 lb. (3,500 kg.)
- Laying Length per Panel: 20'-0" (6m)
- 4"(100mm) Diameter Lifting Hole (Centered)

OTHER USES

- Excavation Enclosure
- Material Storage
- Retaining Wall
- Barricades
- Security

**20' (6m) BARRIER RAIL
CALTRANS TYPE K**



SECTION A-A

JENSEN PRECAST MANUFACTURES CONCRETE BARRIER RAILS, IDEALLY SUITED FOR STREET CLOSURES, DETOURS AND CONSTRUCTION SITES. BARRIERS ARE AVAILABLE FOR SALE OR RENTAL ON A SHORT OR LONG DURATION BASIS.

APPROVED BY THE STATE OF CALIFORNIA DEPARTMENT OF TRANSPORTATION.

NOTE: METRIC DIMENSIONS ROUNDED TO NEAREST 5mm.

FOR COMPLETE DESIGN AND PRODUCT INFORMATION, CONTACT JENSEN PRECAST.