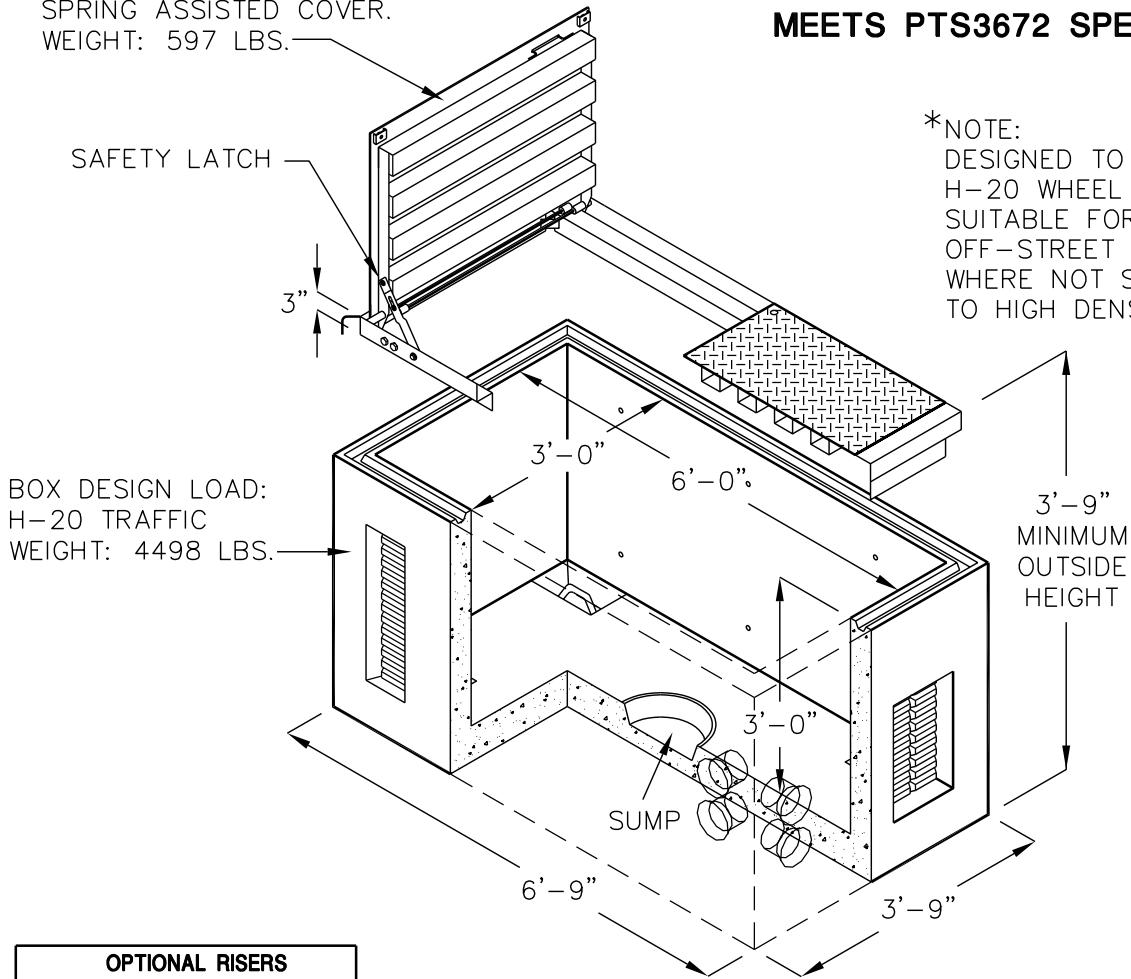


36TA PULLBOX

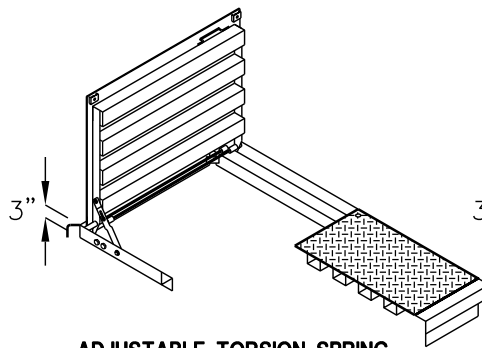
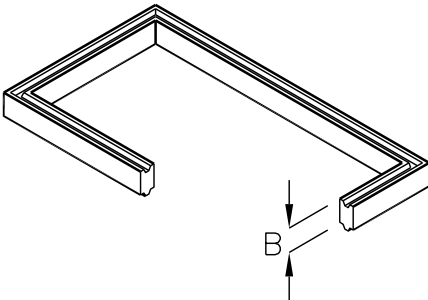
3'-0" WD. x 6'-0" LG. x 3'-0" H. I.D.
 MEETS PTS3672 SPECIFICATIONS

*3672AT-TRF TORSION
 SPRING ASSISTED COVER.
 WEIGHT: 597 LBS.

*NOTE:
 DESIGNED TO WITHSTAND
 H-20 WHEEL LOADINGS.
 SUITABLE FOR USE IN
 OFF-STREET LOCATIONS
 WHERE NOT SUBJECTED
 TO HIGH DENSITY TRAFFIC.

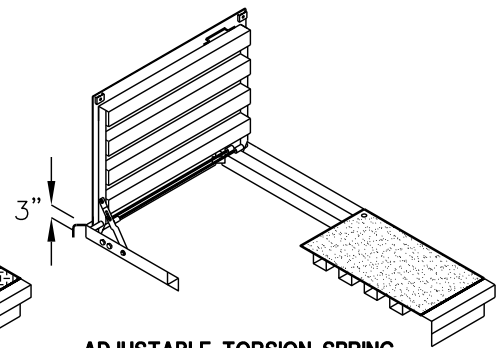


OPTIONAL RISERS (EXTENSIONS)		
MODEL NO.	B	WEIGHT
36-R6	6"	526 LBS.
36-R12	12"	1050 LBS.



**ADJUSTABLE TORSION SPRING
 ASSISTED COVERS
 (DIAMOND PLATE SURFACE)**

*3672AT-TRF, 597 LBS.
 (H-20 TRAFFIC)
 OR
 3672AT-PKY, 490 LBS.
 (NON TRAFFIC)



**ADJUSTABLE TORSION SPRING
 ASSISTED COVERS
 (NON-SLIP SURFACE)**

*3672AT-TRF-AG, 588 LBS.
 (H-20 TRAFFIC)
 OR
 3672AT-PKY-AG, 481 LBS.
 (NON TRAFFIC)

FOR COMPLETE DESIGN
 AND PRODUCT INFORMATION,
 CONTACT JENSEN PRECAST.