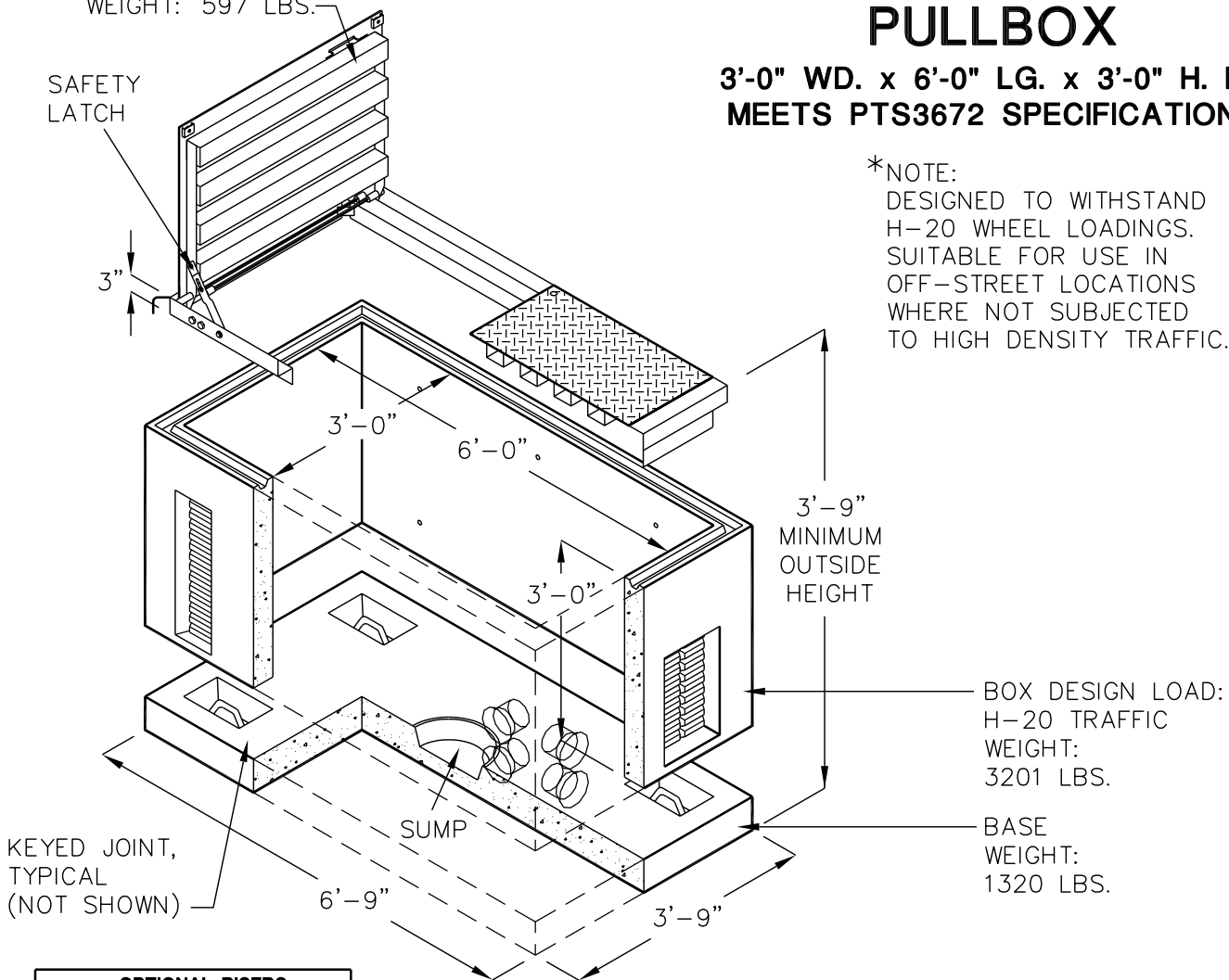


\*3672AT-TRF TORSION SPRING ASSISTED COVER. WEIGHT: 597 LBS.

# 36TA-I INTERCEPT PULLBOX

3'-0" WD. x 6'-0" LG. x 3'-0" H. I.D.  
MEETS PTS3672 SPECIFICATIONS

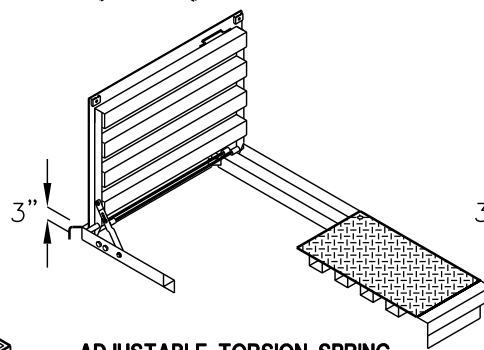
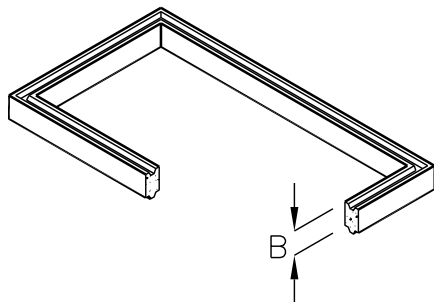
\*NOTE:  
DESIGNED TO WITHSTAND H-20 WHEEL LOADINGS. SUITABLE FOR USE IN OFF-STREET LOCATIONS WHERE NOT SUBJECTED TO HIGH DENSITY TRAFFIC.



BOX DESIGN LOAD:  
H-20 TRAFFIC  
WEIGHT:  
3201 LBS.

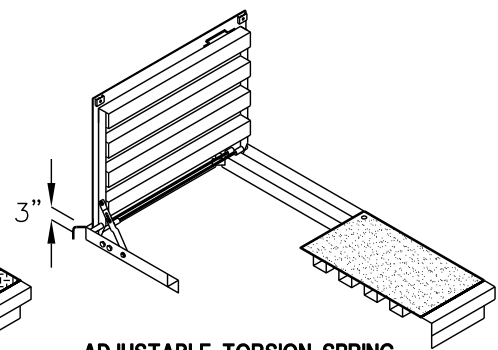
BASE  
WEIGHT:  
1320 LBS.

OPTIONAL RISERS (EXTENSIONS)		
MODEL NO.	B	WEIGHT
36-R6	6"	526 LBS.
36-R12	12"	1050 LBS.



**ADJUSTABLE TORSION SPRING ASSISTED COVERS (DIAMOND PLATE SURFACE)**

\*3672AT-TRF, 597 LBS. (H-20 TRAFFIC)  
OR  
3672AT-PKY, 490 LBS. (NON TRAFFIC)



**ADJUSTABLE TORSION SPRING ASSISTED COVERS (NON-SLIP SURFACE)**

\*3672AT-TRF-AG, 588 LBS. (H-20 TRAFFIC)  
OR  
3672AT-PKY-AG, 481 LBS. (NON TRAFFIC)

FOR COMPLETE DESIGN AND PRODUCT INFORMATION, CONTACT JENSEN PRECAST.