

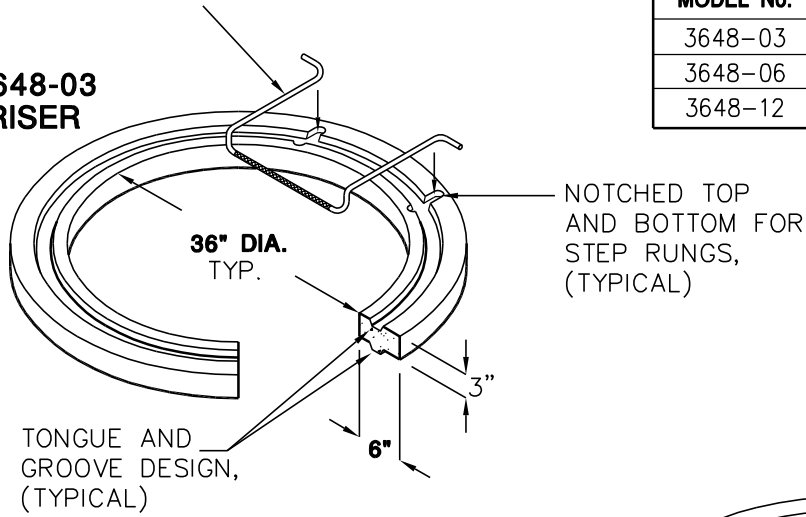
GRADE RINGS/RISERS

36" INSIDE DIAMETER

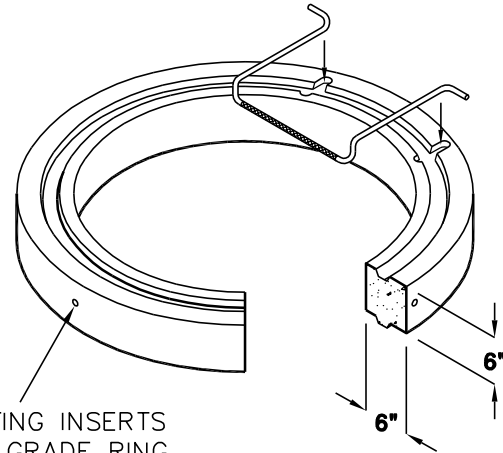
STEP RUNGS AVAILABLE
(SEE HARDWARE/APPURTENANCES
SECTION FOR DETAILS)

MODEL No.	HEIGHT	WEIGHT
3648-03	3"	210 LBS.
3648-06	6"	420 LBS.
3648-12	12"	840 LBS.

**3648-03
RISER**

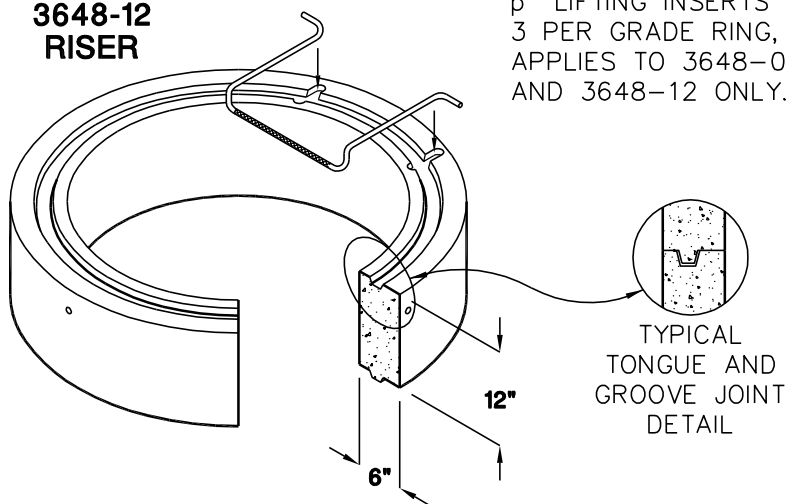


**3648-06
RISER**



p" LIFTING INSERTS
3 PER GRADE RING,
APPLIES TO 3648-06
AND 3648-12 ONLY.

**3648-12
RISER**



FOR COMPLETE DESIGN
AND PRODUCT INFORMATION,
CONTACT JENSEN PRECAST.