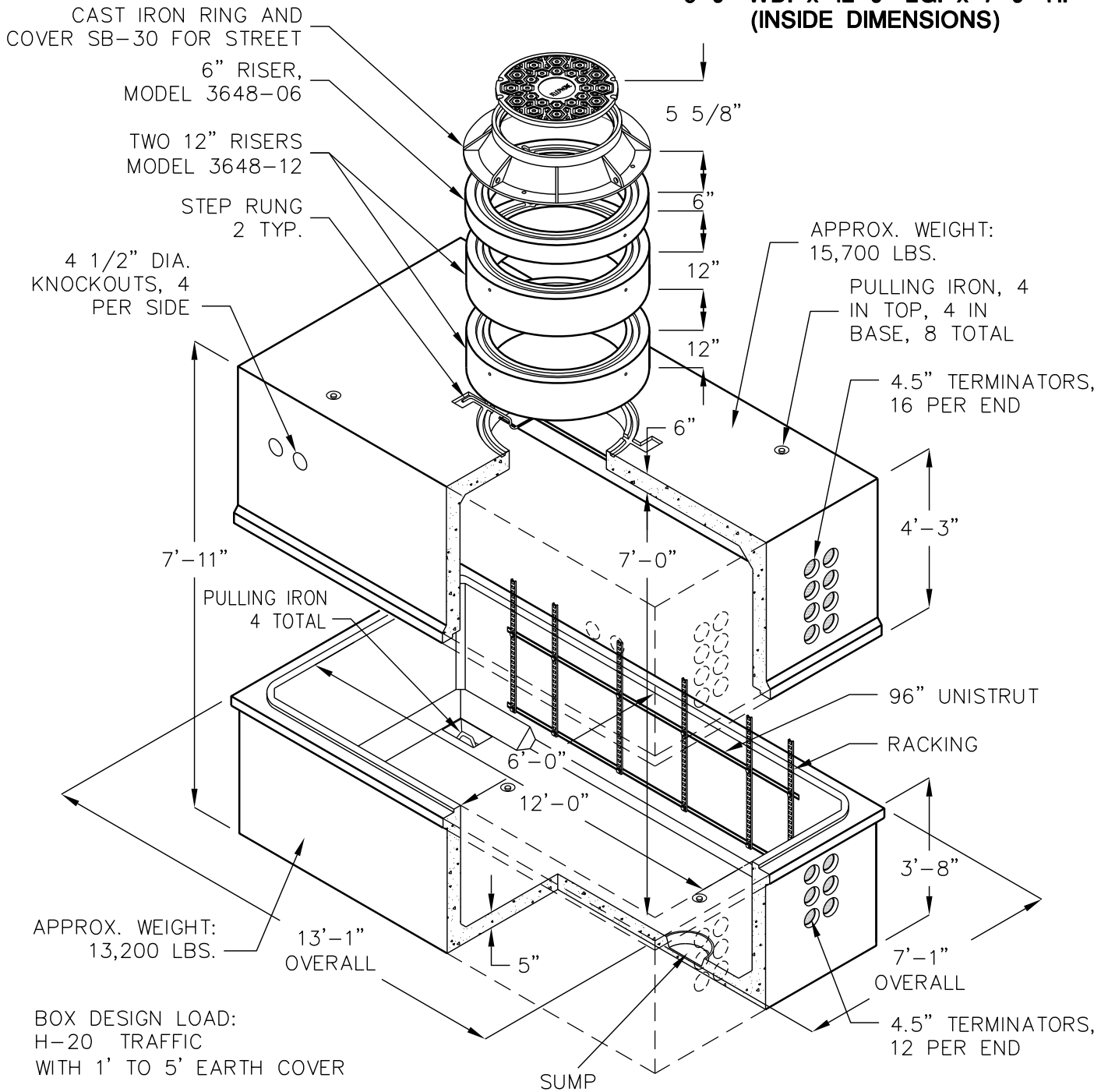


612-TST

SUREWEST TELEPHONE
6'-0" WD. x 12'-0" LG. x 7'-0" H.
(INSIDE DIMENSIONS)



BOX DESIGN LOAD:
H-20 TRAFFIC
WITH 1' TO 5' EARTH COVER

KNOCKOUTS, DUCT TERMINATORS, RACKING,
AND LADDER PER CURRENT SUREWEST
TELEPHONE SPECIFICATIONS.

FOR COMPLETE DESIGN
AND PRODUCT INFORMATION,
CONTACT JENSEN PRECAST.