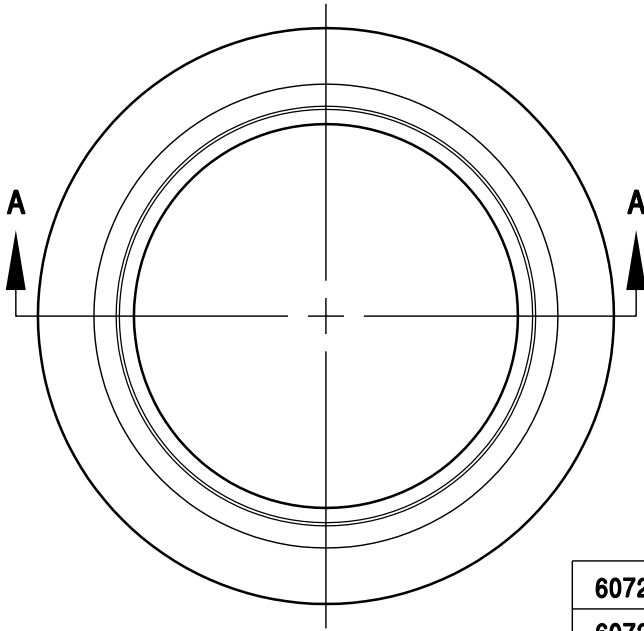
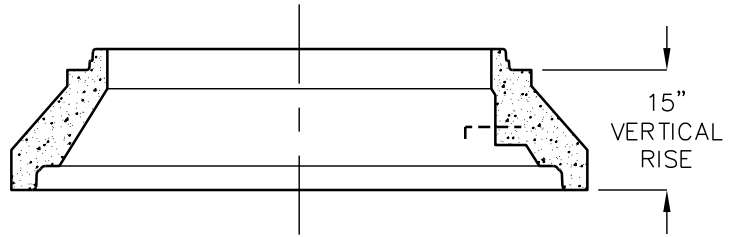


60" I.D. x 6" WALL 15" CONCENTRIC CONE



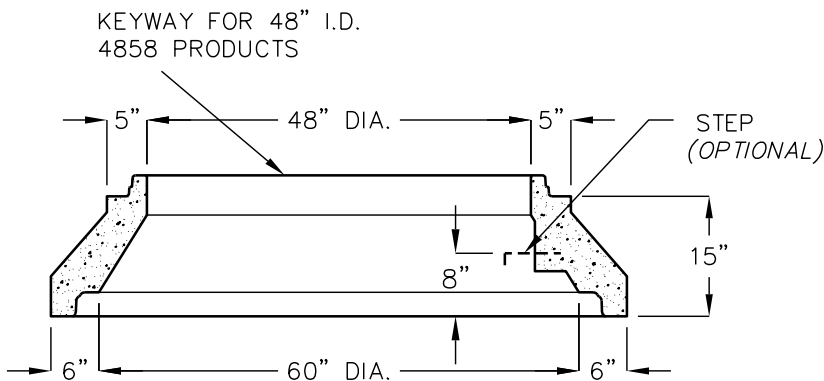
**PLAN VIEW
6048 CONE**



SECTION A-A

	APPROX. WT.
6072CC48-15 CON CONE	1450 LBS.
6072CC48-15S CON CONE W/STEP HOLES	1450 LBS.

CONFORMS TO ASTM SPECS C-478
and AASHTO No. M199-93.



SIDE VIEW

FOR COMPLETE DESIGN,
AND PRODUCT INFORMATION,
CONTACT JENSEN PRECAST.