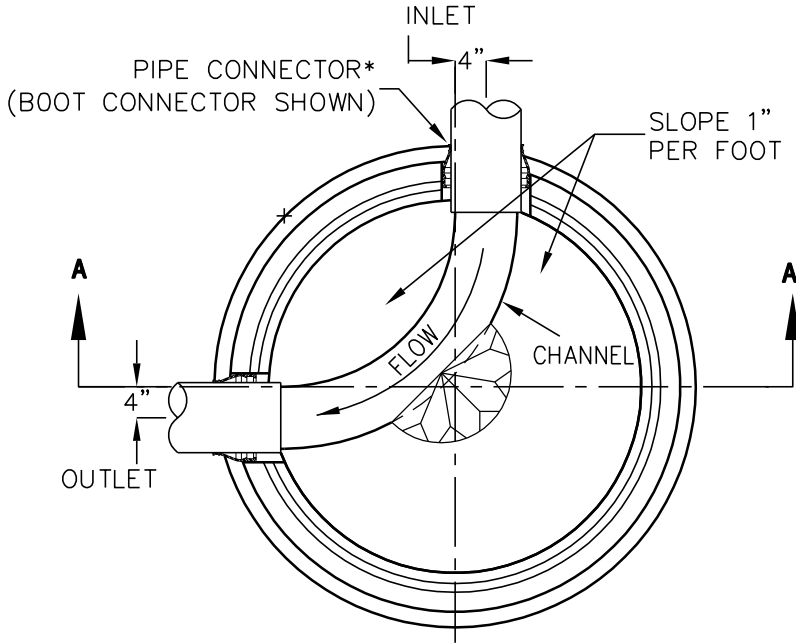
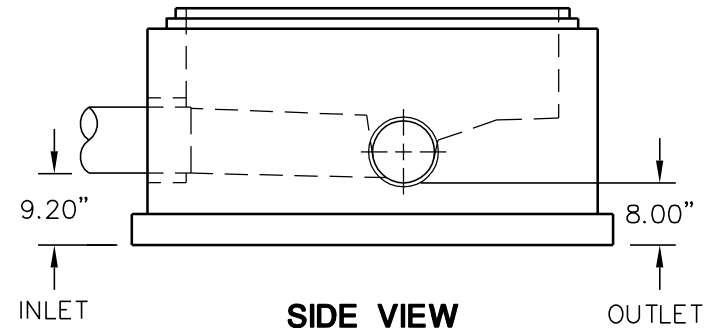


# 48" I.D. MANHOLE BASE

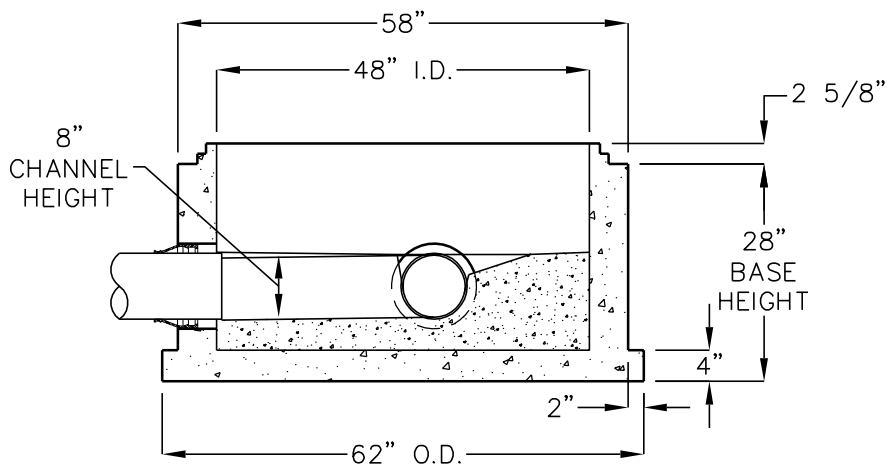
**2 WAY 90 DEGREE  
RIGHT CHANNEL  
SACRAMENTO COUNTY  
FOR 8" PVC OR VC PIPE**



**TOP VIEW**



**SIDE VIEW**



**SECTION A-A**

MEETS REQUIREMENTS FOR
<b>SACRAMENTO COUNTY PUBLIC WORKS AGENCY</b>
STANDARD 48" DIAMETER SEWER MANHOLE

CONFORMS TO CURRENT SPECIFICATION ASTM C 478 AND AASHTO NO. M199.

DESIGN LOAD: H-20 TRAFFIC

\*FOR PVC PIPE, A FLEXIBLE RESILIENT CONNECTOR PER ASTM C 923 IS USED.

\*FOR VITRIFIED CLAY PIPE, A FLEXIBLE RESILIENT CONNECTOR PER ASTM C 923 OR VC HUB PER ASTM C 700 IS USED.

FOR COMPLETE DESIGN AND PRODUCT INFORMATION CONTACT JENSEN PRECAST.

