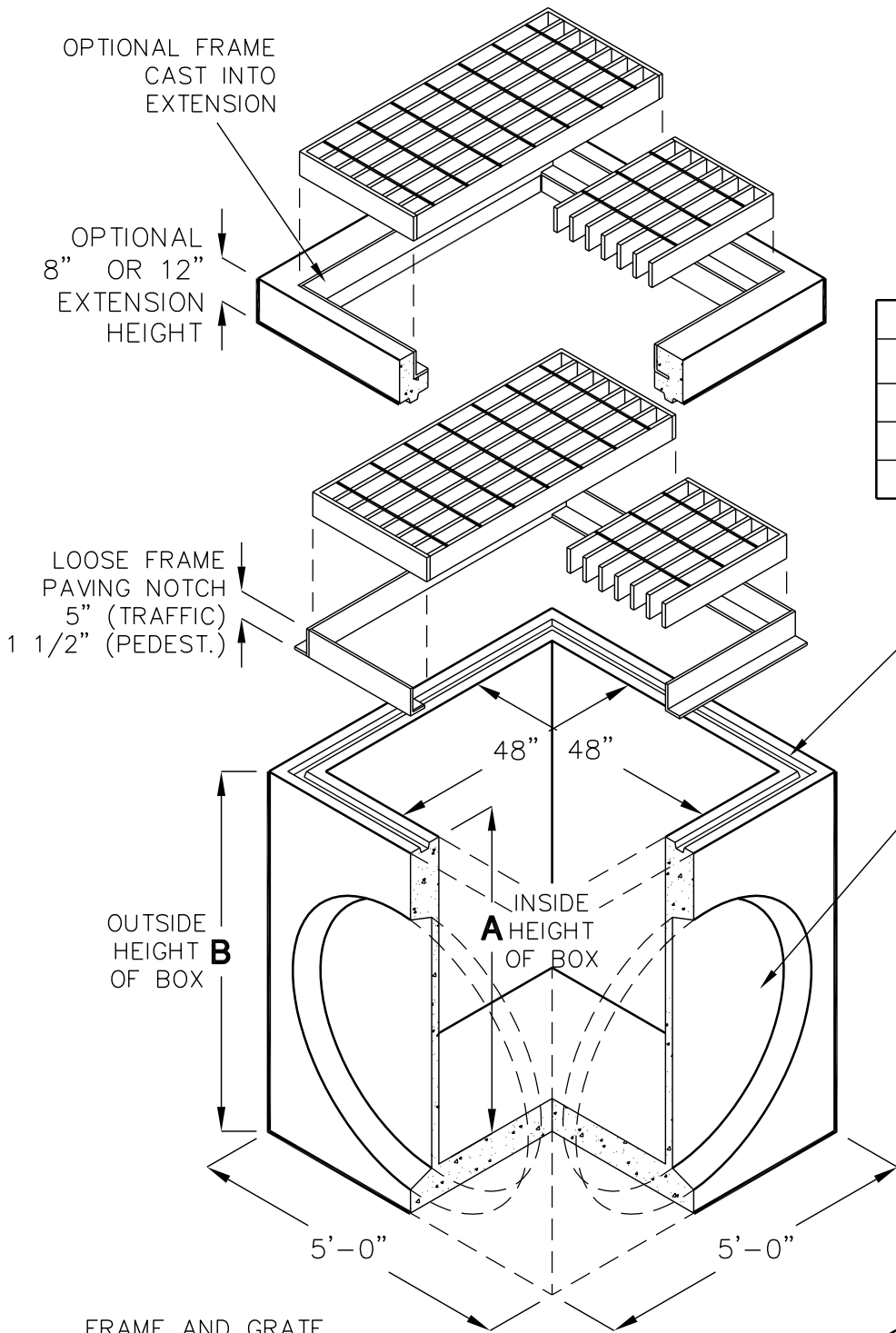


48"x48" DROP INLET WITH OPTIONAL FRAME CAST IN EXTENSION

UP TO 6'-0" INSIDE DEPTH

DROP INLET			
MODEL NO.	A	B	BOX WEIGHT
DI484848*	48"	54"	4995 LBS.
DI484860	60"	66"	6433 LBS.
DI484872	72"	78"	7872 LBS.

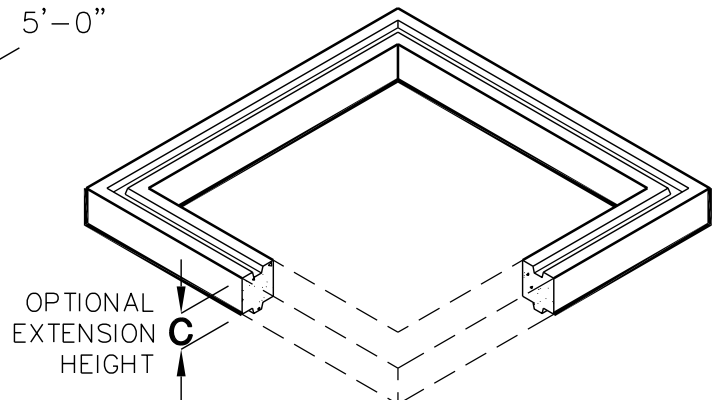
*MAX. KNOCKOUT SIZE 36"φ.



FRAME MAY BE CAST DIRECTLY INTO BOX (OPTIONAL)

THIN WALL KNOCKOUTS. 36"φ OR 46"φ. SLEDGE OUT AS REQUIRED. (TYP. 4 PLACES)

EXTENSION		
MODEL NO.	C	WEIGHT
RS484806	6"	675 LBS.
RS484812	12"	1350 LBS.



FRAME AND GRATE ASSEMBLY AVAILABLE IN TRAFFIC OR PEDESTRIAN MODELS

BOX DESIGN LOAD:
H-20 TRAFFIC

FOR COMPLETE DESIGN, AND PRODUCT INFORMATION, CONTACT JENSEN PRECAST.