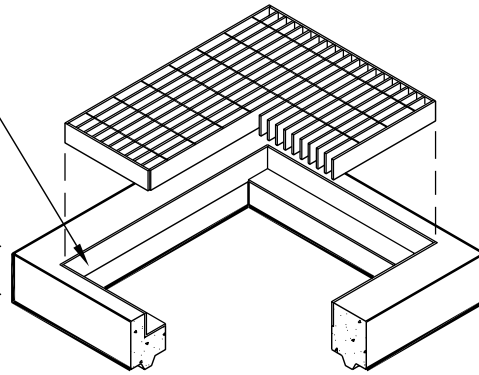


24"x24" DROP INLET WITH FRAME CAST IN EXTENSION

FRAME CAST INTO EXTENSION

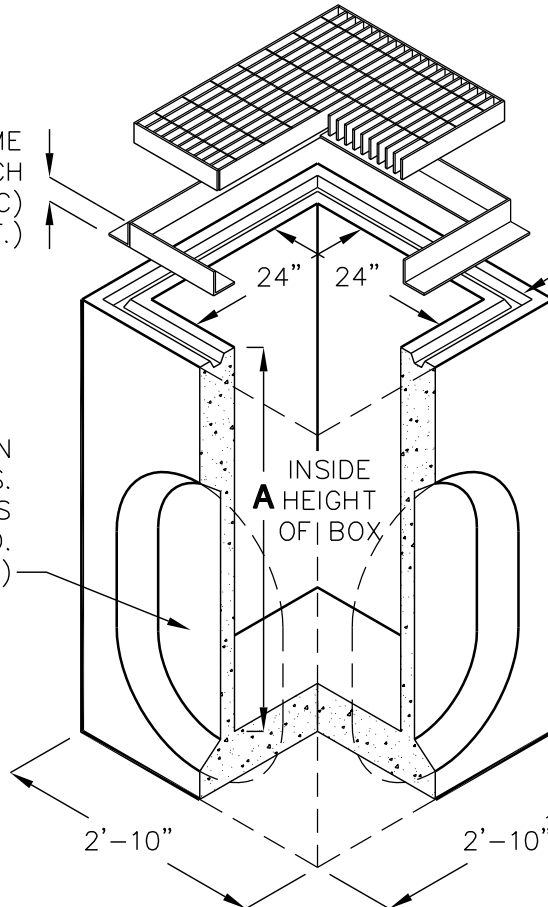
OPTIONAL
6" OR 12"
EXTENSION
HEIGHT



DROP INLET			
MODEL NO.	A	B	* WEIGHT
DI242436	36"	42"	1900 LBS.
DI242448	48"	54"	2500 LBS.

*BOX ONLY

LOOSE FRAME
PAVING NOTCH
3" (TRAFFIC)
1 1/2" (PEDEST.)

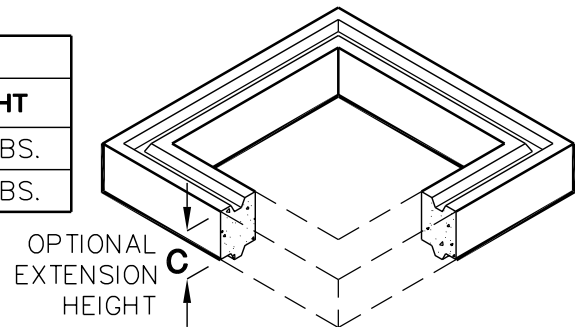


FRAME MAY BE CAST
DIRECTLY INTO BOX
(OPTIONAL)

18"x31" THIN
WALL KNOCKOUTS.
SLUDGE OUT AS
REQUIRED.
(TYP. 4 PLACES)

OUTSIDE
HEIGHT
OF BOX

EXTENSION		
MODEL NO.	C	WEIGHT
RS242406	6"	300 LBS.
RS242412	12"	600 LBS.



FRAME AND GRATE
ASSEMBLY AVAILABLE
IN TRAFFIC OR
PEDESTRIAN MODELS

BOX DESIGN LOAD:
H-20 TRAFFIC

FOR COMPLETE DESIGN
AND PRODUCT INFORMATION,
CONTACT JENSEN PRECAST.