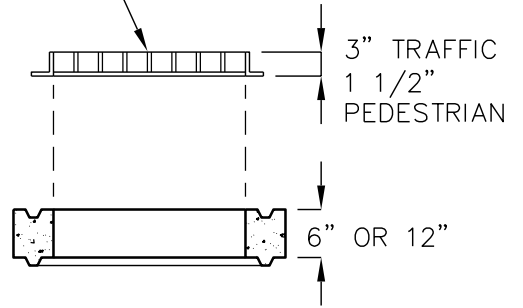
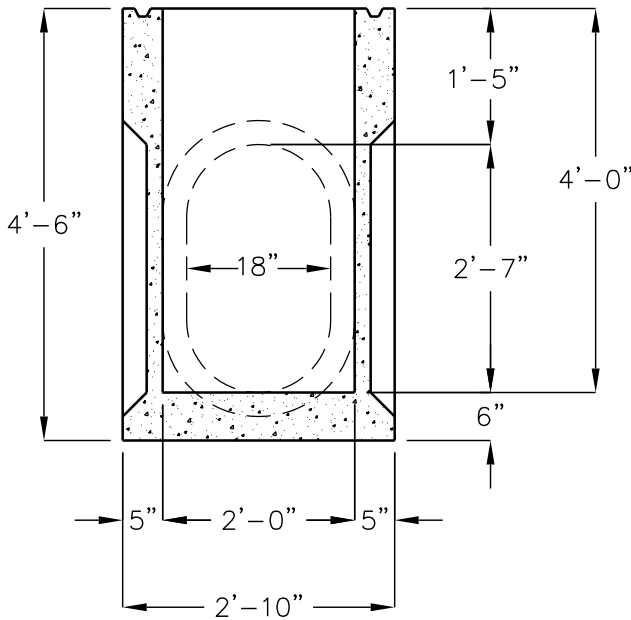


**TOP VIEW-BOX  
WITH FRAME AND GRATE  
REMOVED**

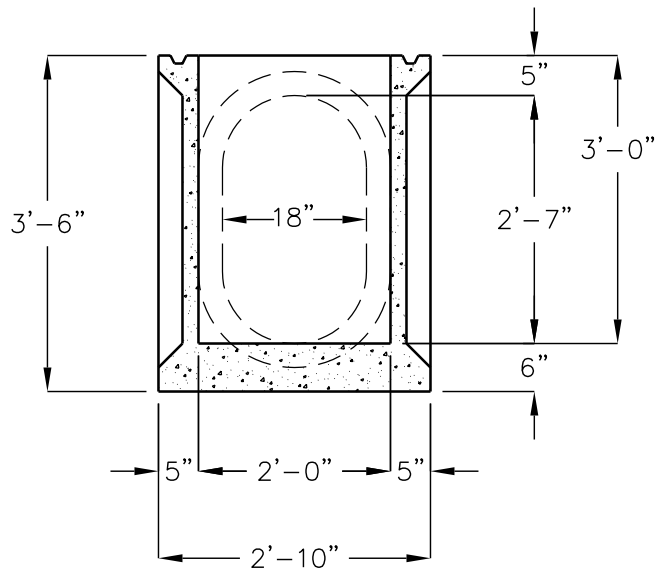
FRAME AND GRATE  
ASSEMBLY



**EXTENSION WITH  
LOOSE FRAME AND  
GRATE SHOWN**



**24"x24" DROP INLET - 48"**



**24"x24" DROP INLET - 36"**

**SECTION VIEWS**