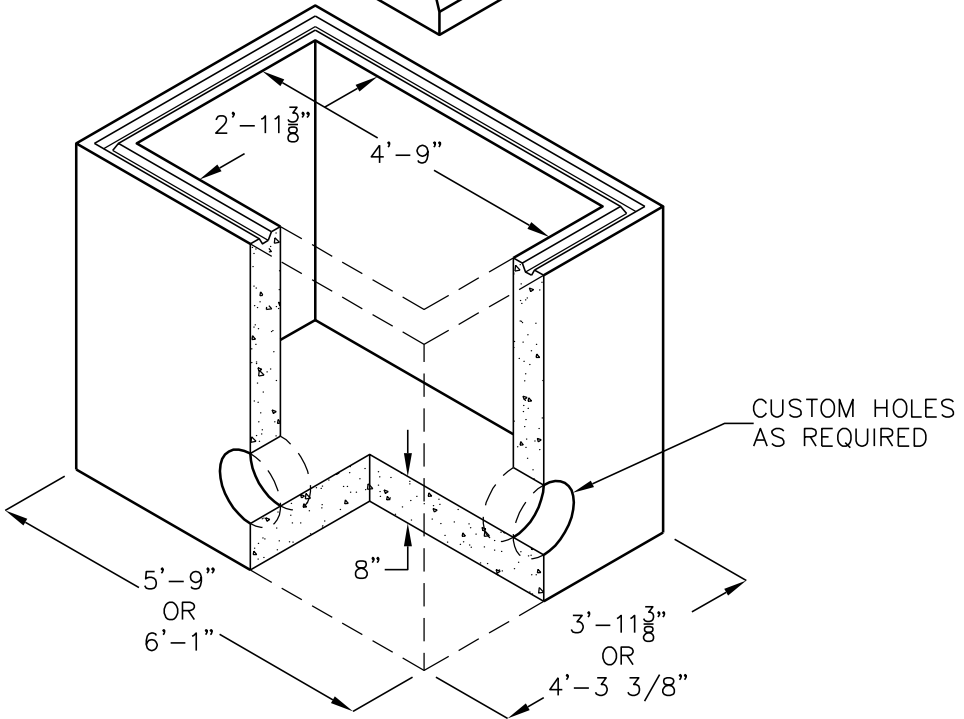
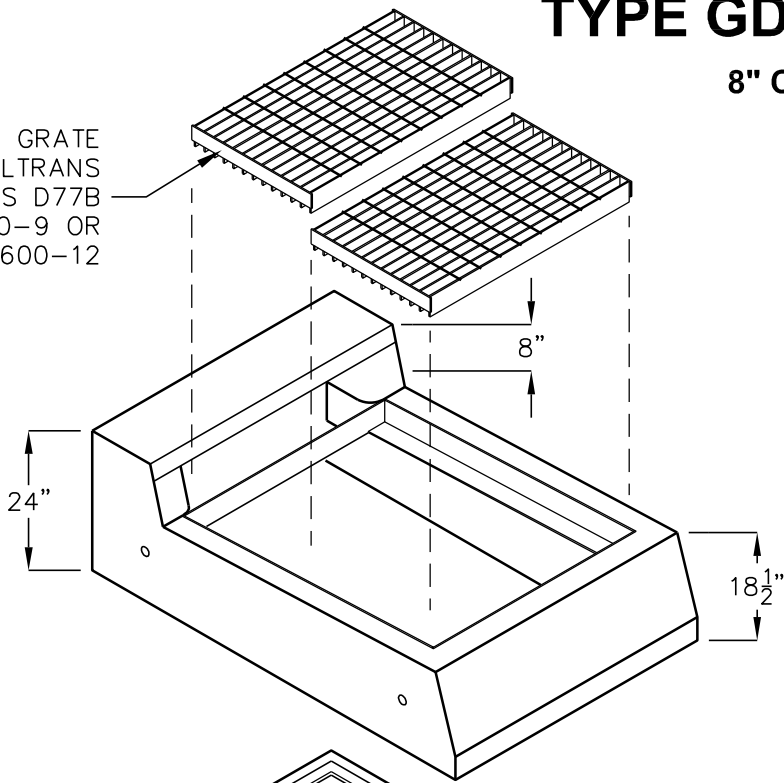


# TYPE GD0 CURB INLET

8" CURB HEIGHT

TYPE 24-13 GRATE  
PER CALTRANS  
SPECIFICATIONS D77B  
TYPE 600-9 OR  
TYPE 600-12



- NOTES:
- FOR BOX HEIGHT 8'-3" OR LESS WALL THICKNESS IS 6"
  - FOR HEIGHTS GREATER THAN 8'-3" WALL THICKNESS IS 8"
  - MANHOLE STEPS ARE REQUIRED FOR BOXES OF 30" DEPTH OR GREATER.
  - 8" BASE THICKNESS

DESIGN LOAD: H-20 TRAFFIC

FOR COMPLETE DESIGN AND PRODUCT INFORMATION  
CONTACT JENSEN PRECAST.

Jensen Precast reserves the right to make changes to product design  
and/or dimensions without notice. Please contact Jensen Precast whenever  
necessary for confirmation or advice on product design.

