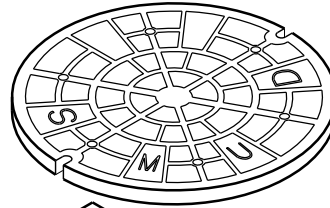
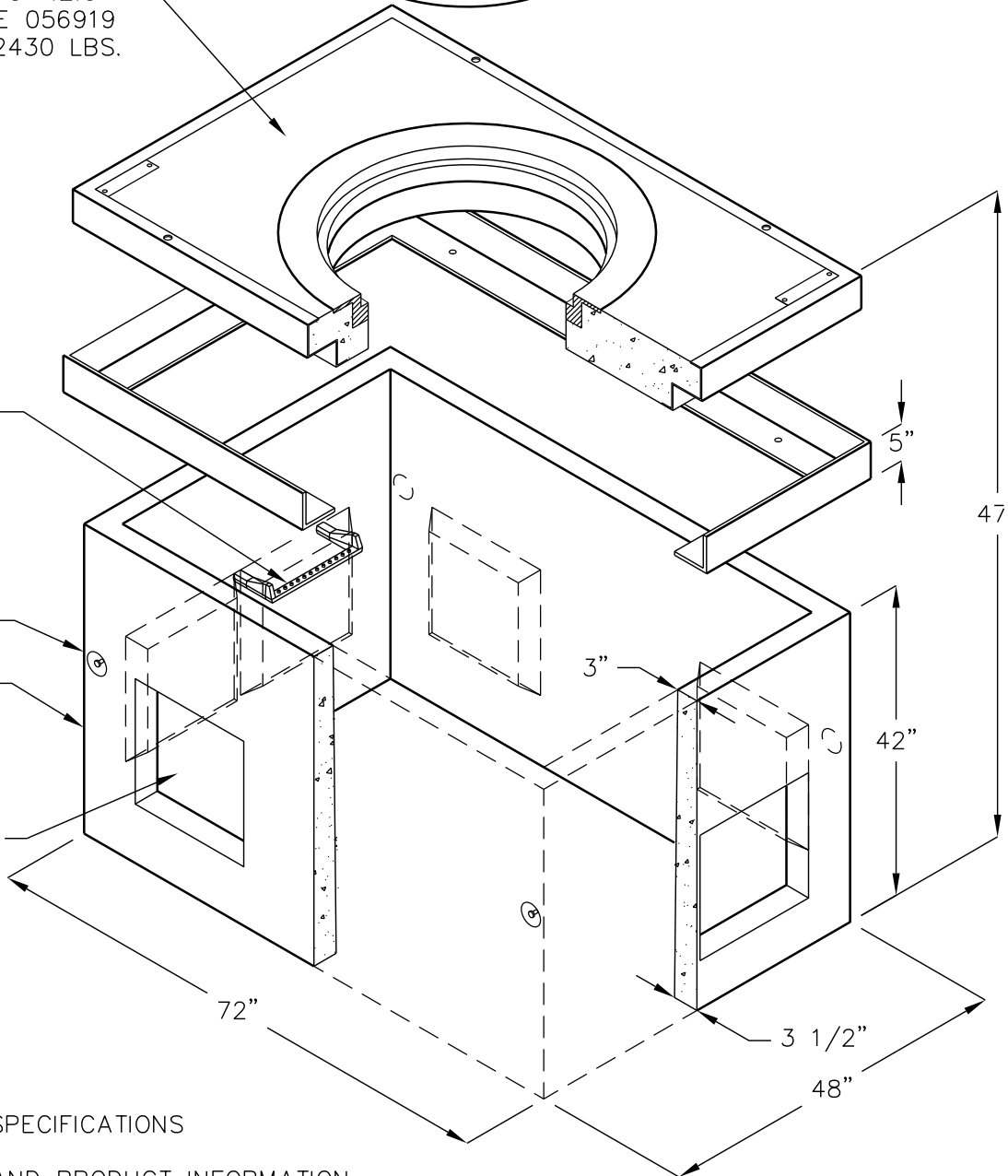


# SMUD 4266

**SACRAMENTO MUNICIPAL UTILITY DIST.**  
**4'-0" WD. x 6'-0" LG. x 3'-6" H.**  
**CONCRETE BOX HANDHOLE**



FULL TRAFFIC BOX COVER  
 SMUD DRAWING UVC 1.2.3  
 SMUD STOCK CODE 056919  
 APPROX. WEIGHT 2430 LBS.



STEP RUNG  
 1 TOTAL

LIFTING ANCHOR  
 (4 TYP.)

MODEL NO. 4266-S-NB  
 SMUD DRAWING UVC 1.2  
 SMUD STOCK CODE 035061  
 APPROX. WEIGHT 2715 LBS.

14"x14" THINWALL  
 KNOCKOUT  
 2 PER WALL  
 4 TOTAL

MEETS CURRENT SMUD SPECIFICATIONS

FOR COMPLETE DESIGN AND PRODUCT INFORMATION  
 CONTACT JENSEN PRECAST.