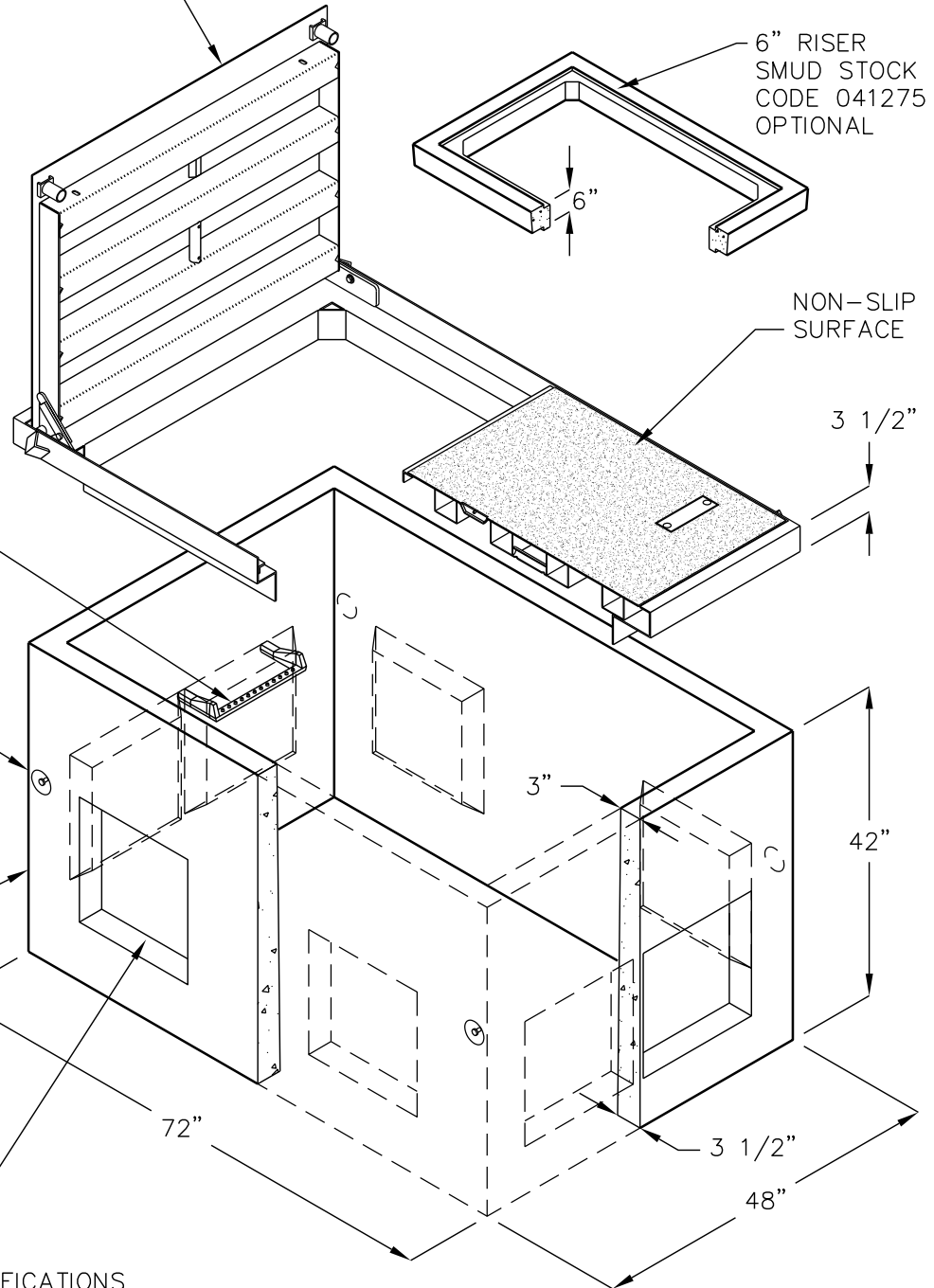
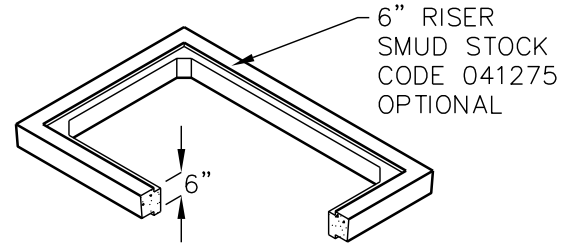


SMUD 4266

SACRAMENTO MUNICIPAL UTILITY DIST.
4'-0" WD. x 6'-0" LG. x 3'-6" H.
CONCRETE BOX HANDHOLE

INCIDENTAL TRAFFIC BOX COVER
SMUD DRAWING UVC 1.2.2
SMUD STOCK CODE 056905
APPROX. WEIGHT 885 LBS.

6" RISER OPTIONAL - 1/2 SCALE



MODEL NO. 4266-S-NB
SMUD DRAWING UVC 1.2
SMUD STOCK CODE 035061
APPROX. WEIGHT 2715 LBS.

14" X 14" THINWALL
KNOCKOUTS
2 PER WALL
8 TOTAL

MEETS CURRENT SMUD SPECIFICATIONS

FOR COMPLETE DESIGN AND PRODUCT INFORMATION
CONTACT JENSEN PRECAST.