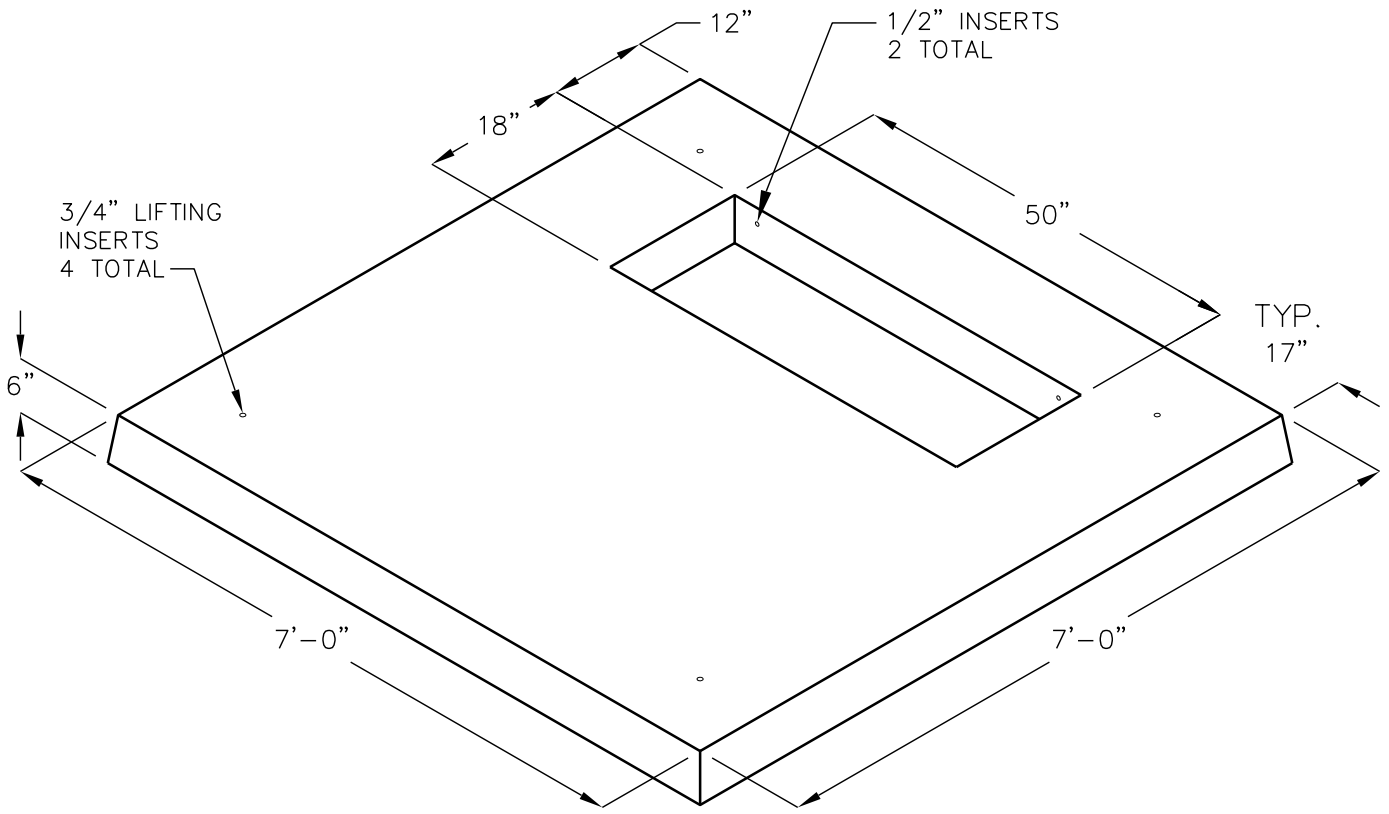


SMUD 7750-S-TP
SACRAMENTO MUNICIPAL UTILITY DIST.
7'-0" W x 7'-0" L x 6" H
TRANSFORMER PAD
SMUD STOCK NO. 056436
SMUD DRAWING NO. UVD 2.3



APPROX.
WEIGHT: 3600 LBS.

MEETS CURRENT SMUD
SPECIFICATIONS

FOR COMPLETE DESIGN
AND PRODUCT INFORMATION,
CONTACT JENSEN PRECAST.