

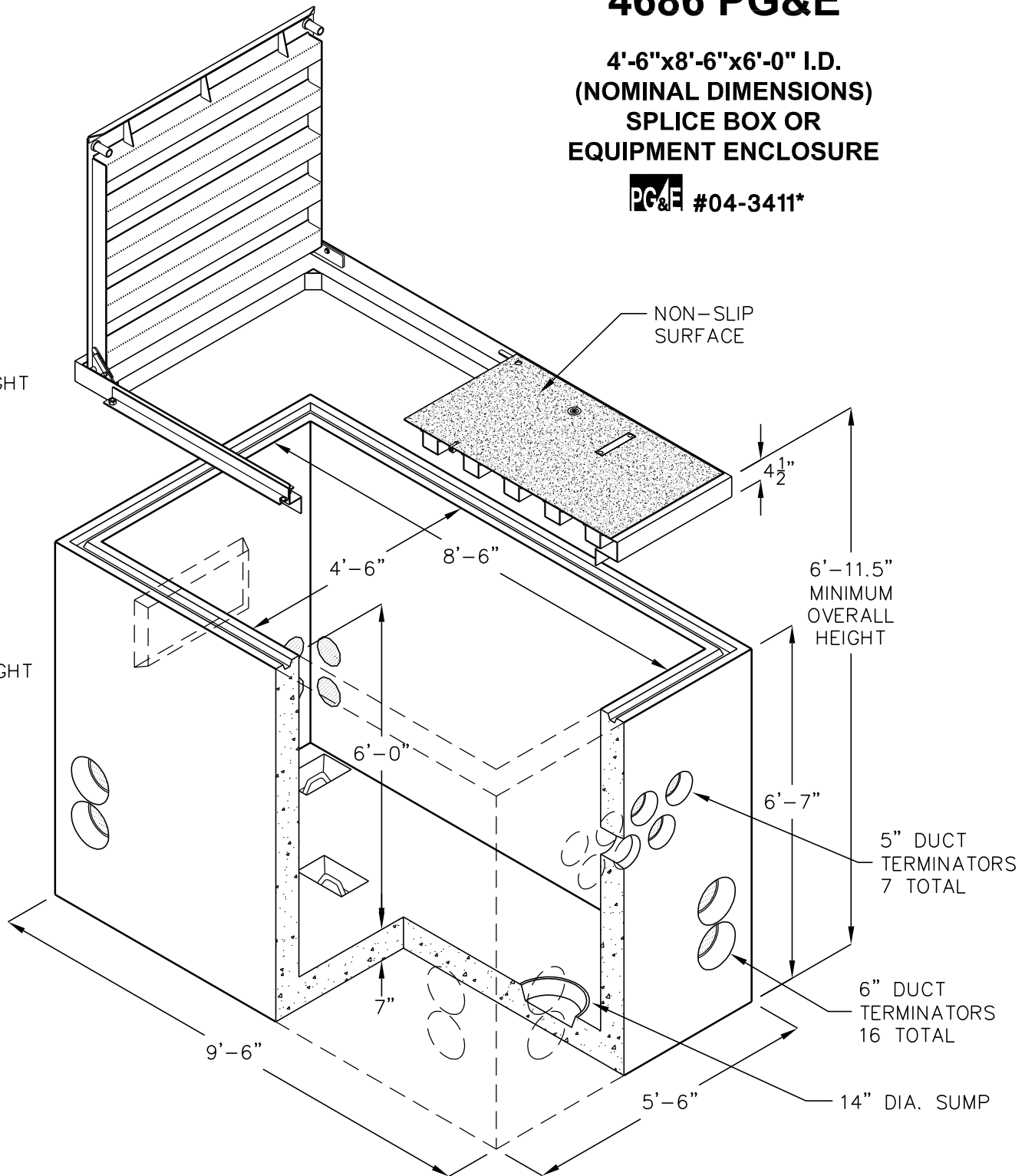
4686 PG&E

4'-6"x8'-6"x6'-0" I.D.
(NOMINAL DIMENSIONS)
SPLICE BOX OR
EQUIPMENT ENCLOSURE

PG&E #04-3411*

COVER ONLY
PG&E CODE
03-8131
APPROX. WEIGHT
1420 LBS.

BOX ONLY
PG&E CODE
04-3376
APPROX. WEIGHT
17300 LBS.



*CODE INCLUDES BOX, FRAME AND COVER ASSEMBLY.

DUCT TERMINATOR SIZE AND LOCATION, KNOCKOUTS, PULLING IRONS, ETC. PER CURRENT PG&E SPECIFICATIONS.

FOR COMPLETE DESIGN AND PRODUCT INFORMATION
CONTACT JENSEN PRECAST.