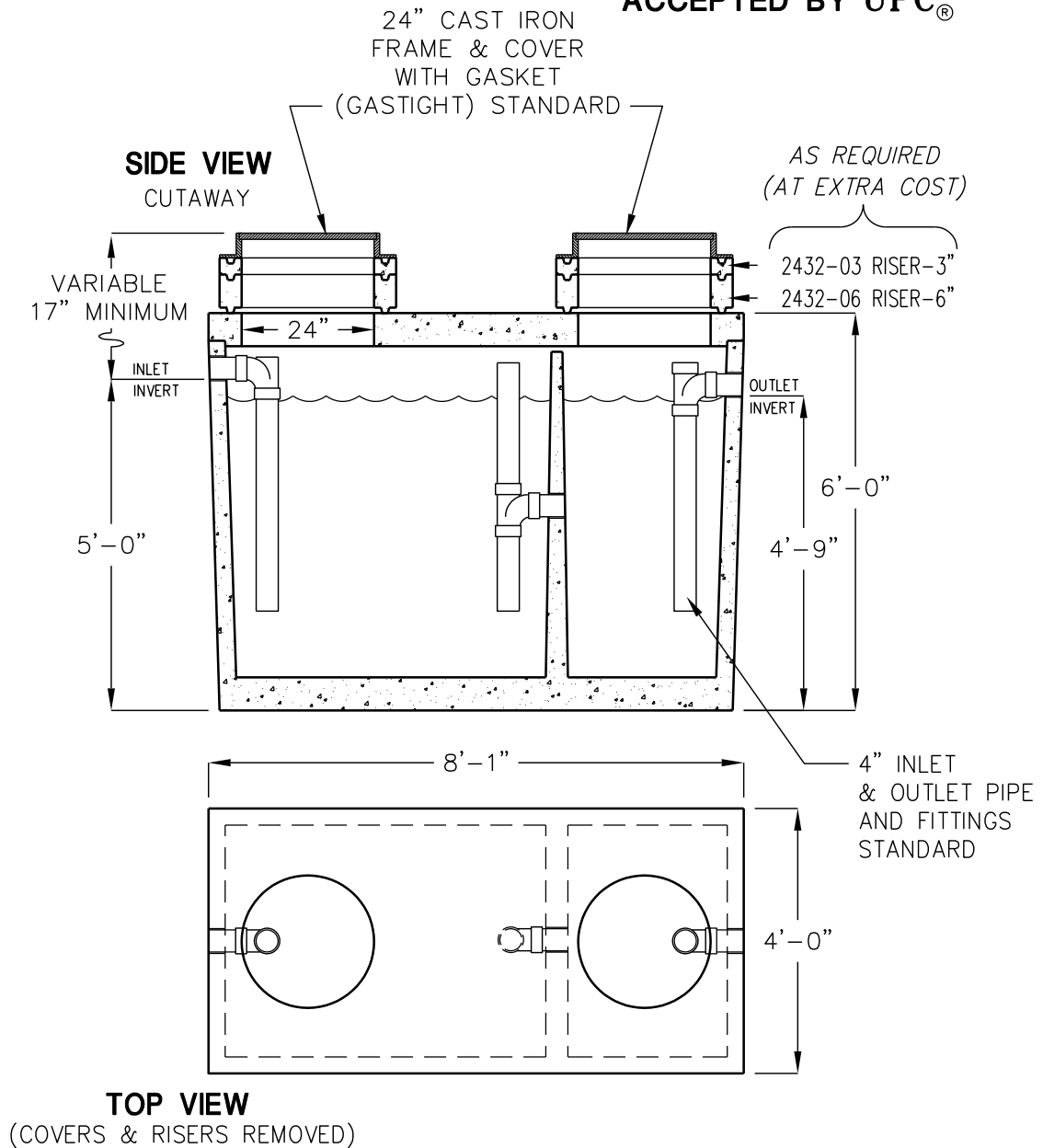


# 750 GALLON GREASE INTERCEPTOR

MODEL JP750EE-G  
ACCEPTED BY UPC®



LIQUID CAPACITY: 750 GALLONS.

BOX DESIGN LOAD: H-20 TRAFFIC FROM  
1' TO 6' OF SOIL COVER.

FOR COMPLETE DESIGN AND PRODUCT  
INFORMATION CONTACT JENSEN PRECAST.