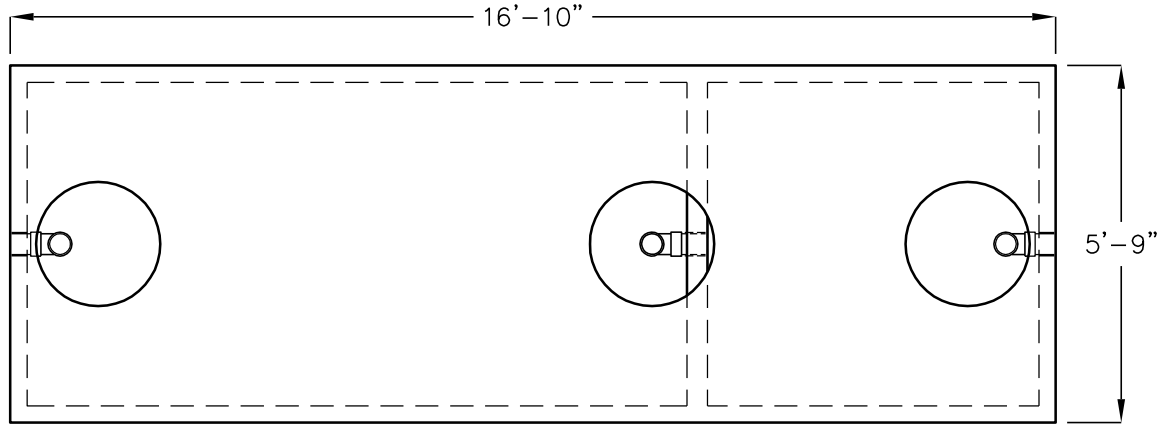


# 3000 GALLON GREASE INTERCEPTOR

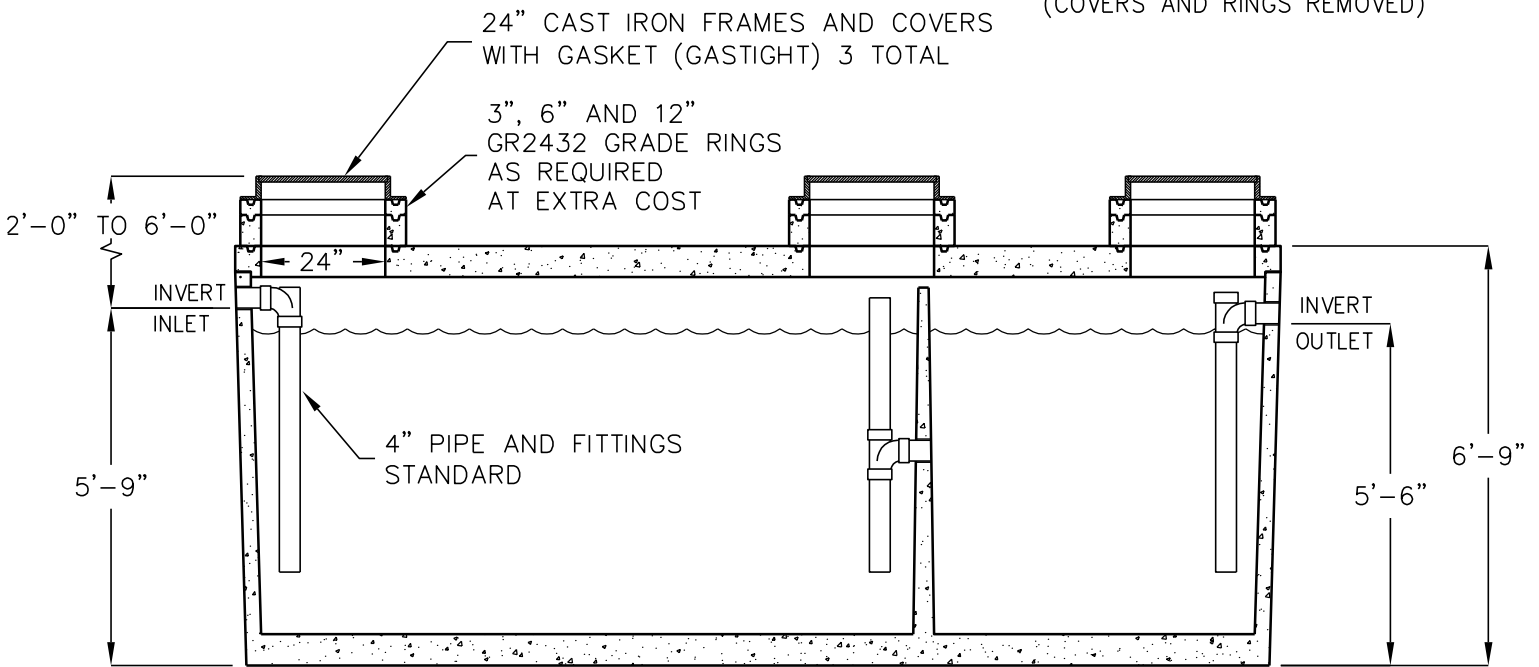
MODEL JZ3000EBE-G

LISTED BY UPC®

NAPA AND PLACER COUNTY,  
CITY OF ROSEVILLE



**TOP VIEW**  
(COVERS AND RINGS REMOVED)



**SIDE SECTION VIEW**

OPERATING CAPACITY: 3,000 GALLONS.

DESIGN LOAD: H-20 TRAFFIC WITH DRY SOIL CONDITIONS  
(WATER LEVEL BELOW TANK) AND 1'-5' EARTH COVER.

SUITABLE SUB-BASE BEDDED WITH GRANULAR MATERIAL  
SHALL BE PREPARED TO HANDLE ANTICIPATED LOADS.

FOR COMPLETE DESIGN AND PRODUCT INFORMATION  
CONTACT JENSEN PRECAST.

<p>MINIMUM EXCAVATION 6'-9" x 17'-10" x REQ'D DEPTH</p>
---