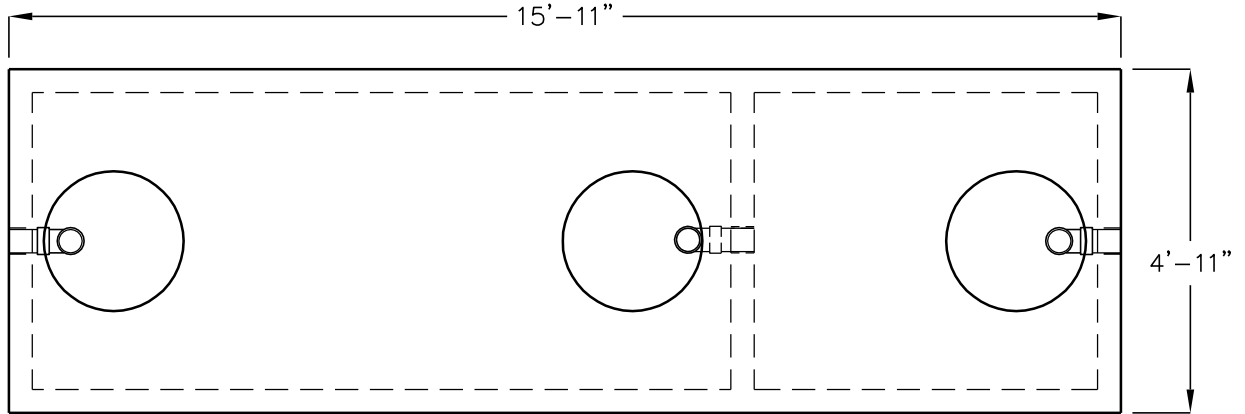


# 2000 GALLON GREASE INTERCEPTOR

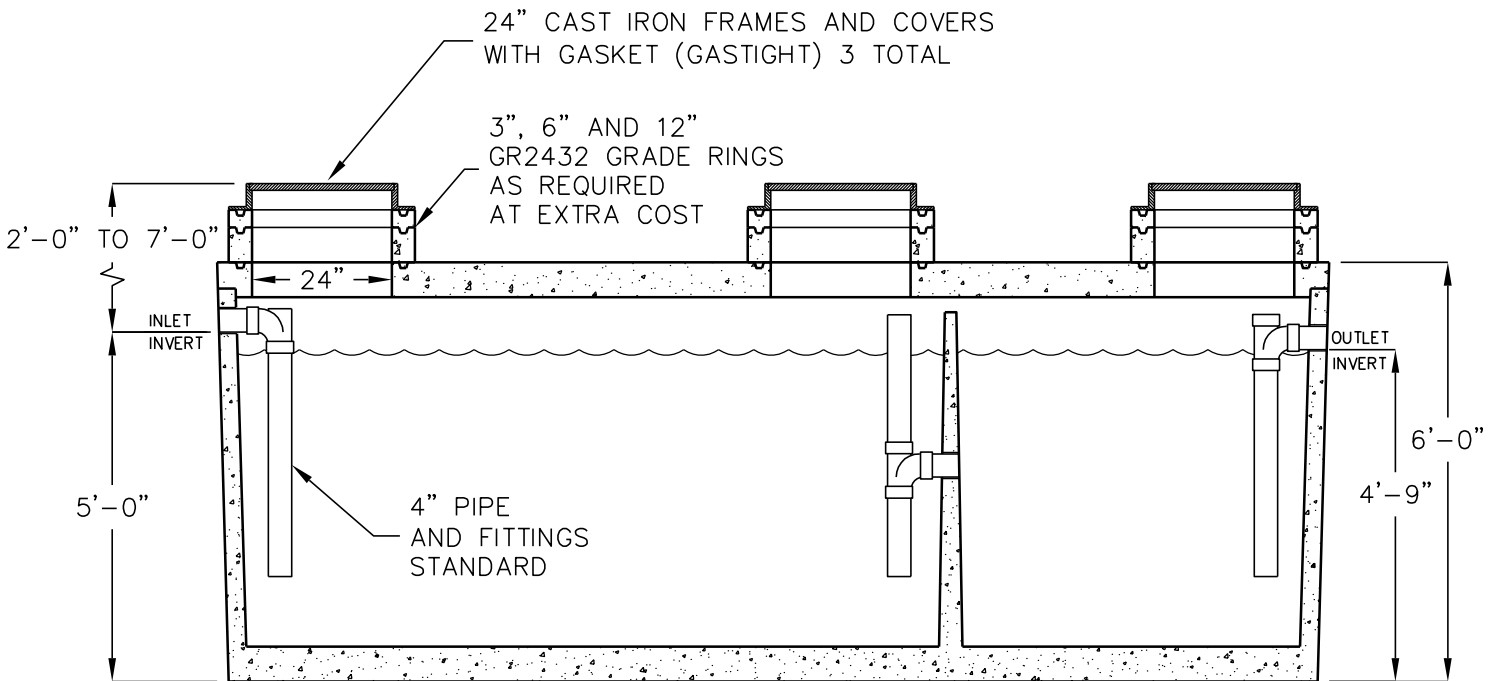
MODEL JP2000EBE-G

LISTED BY UPC®

NAPA AND PLACER COUNTY,  
CITY OF ROSEVILLE



**TOP VIEW**  
(COVERS AND RINGS REMOVED)



**SIDE SECTION VIEW**

OPERATING CAPACITY: 2,000 GALLONS.

DESIGN LOAD: H-20 TRAFFIC WITH DRY SOIL CONDITIONS  
(WATER LEVEL BELOW TANK) AND 1'-6' EARTH COVER.

SUITABLE SUB-BASE BEDDED WITH GRANULAR MATERIAL SHALL BE  
PREPARED TO HANDLE ANTICIPATED LOADS.

FOR COMPLETE DESIGN AND PRODUCT INFORMATION  
CONTACT JENSEN PRECAST.

MINIMUM EXCAVATION 5'-11" x 16'-11" x REQ'D DEPTH
---