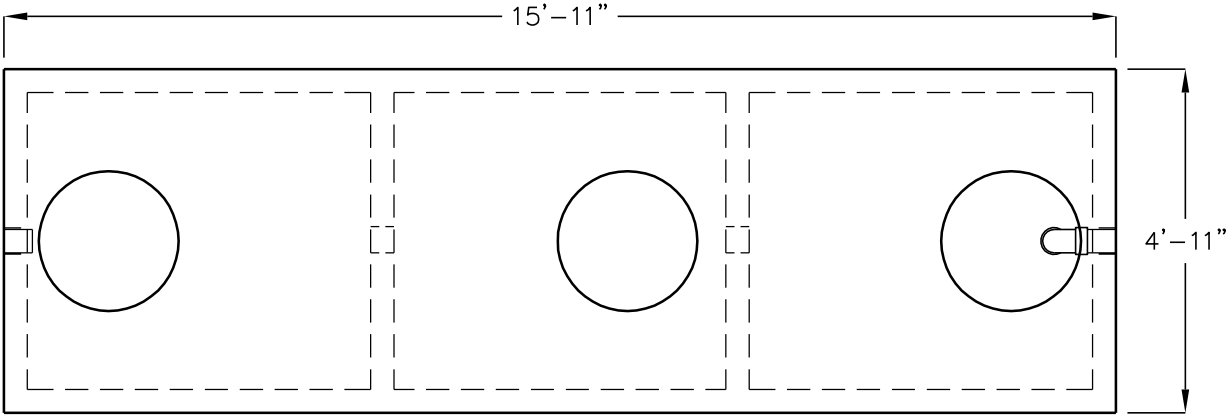
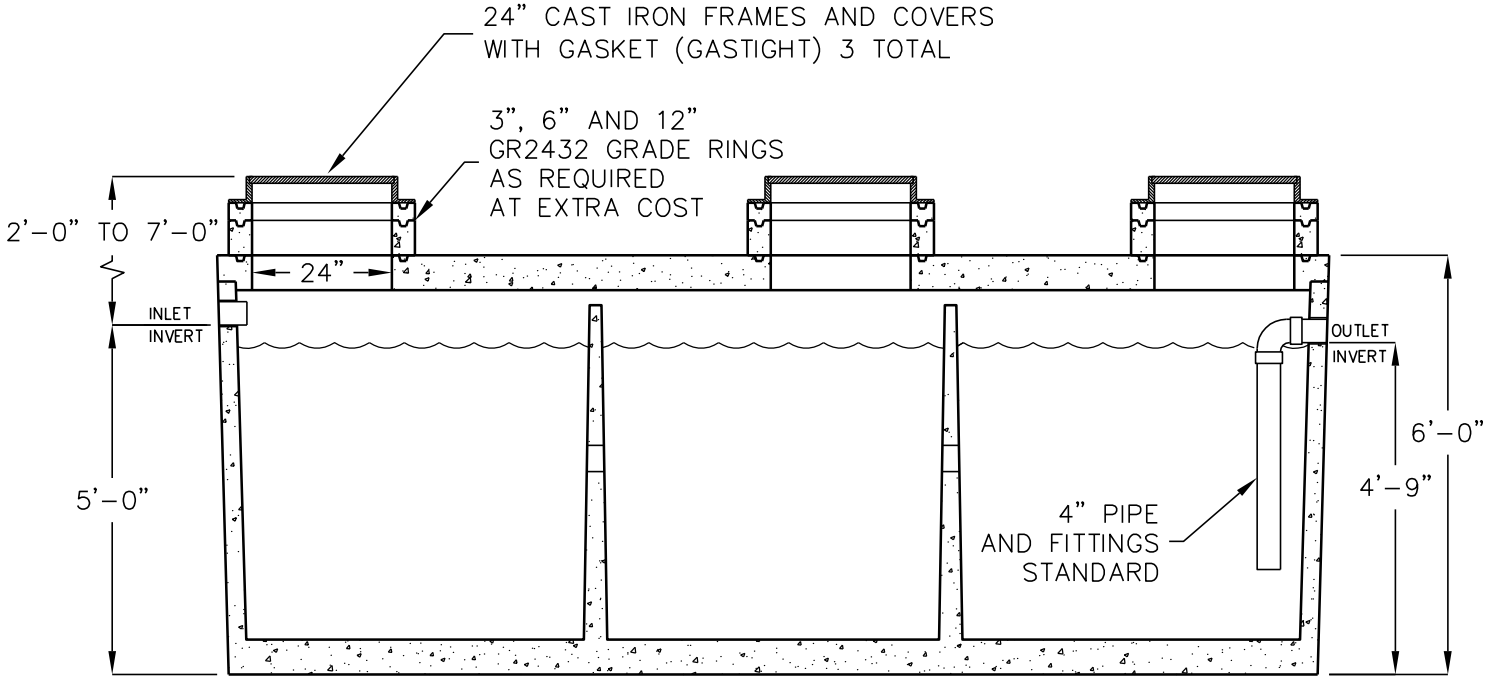


**2000 GALLON  
CLARIFIER**  
MODEL JP2000EBE-CL  
LISTED BY UPC®  
NORTHERN CALIFORNIA



**TOP VIEW**  
(COVERS AND RINGS REMOVED)



**SIDE SECTION VIEW**

OPERATING CAPACITY: 2,000 GALLONS.

DESIGN LOAD: H-20 TRAFFIC WITH DRY SOIL CONDITIONS  
(WATER LEVEL BELOW TANK) AND 1'-6' EARTH COVER.

SUITABLE SUB-BASE BEDDED WITH GRANULAR MATERIAL SHALL BE  
PREPARED TO HANDLE ANTICIPATED LOADS.

FOR COMPLETE DESIGN AND PRODUCT INFORMATION  
CONTACT JENSEN PRECAST.

MINIMUM EXCAVATION  
5'-11" x 16'-11"  
x REQ'D DEPTH