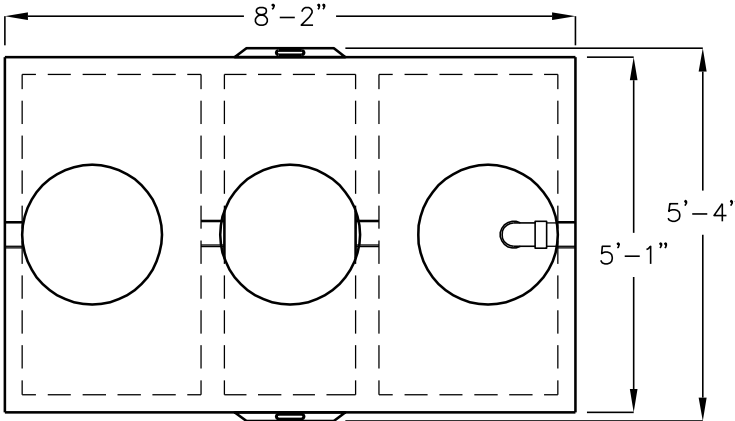
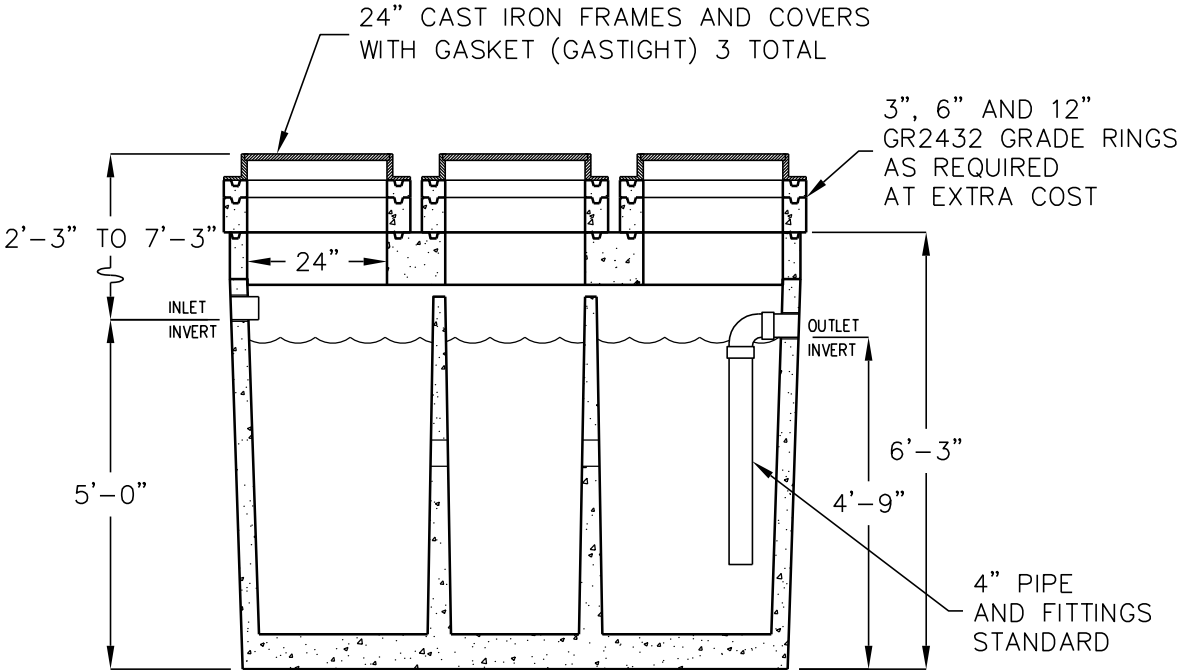


# 1000 GALLON CLARIFIER

MODEL JP1000ECE-CL  
LISTED BY UPC®  
NORTHERN CALIFORNIA



**TOP VIEW**  
(COVERS & RINGS REMOVED)



**SIDE SECTION VIEW**

OPERATING CAPACITY: 1,000 GALLONS.

DESIGN LOAD: H-20 TRAFFIC WITH DRY SOIL CONDITIONS  
(WATER LEVEL BELOW TANK) AND 1'-6" EARTH COVER.

SUITABLE SUB-BASE BEDDED WITH GRANULAR MATERIAL SHALL BE  
PREPARED TO HANDLE ANTICIPATED LOADS.

FOR COMPLETE DESIGN AND PRODUCT INFORMATION  
CONTACT JENSEN PRECAST.

<p>MINIMUM EXCAVATION 6'-4" x 9'-2" x REQ'D DEPTH</p>
---------------------------------------------------------------