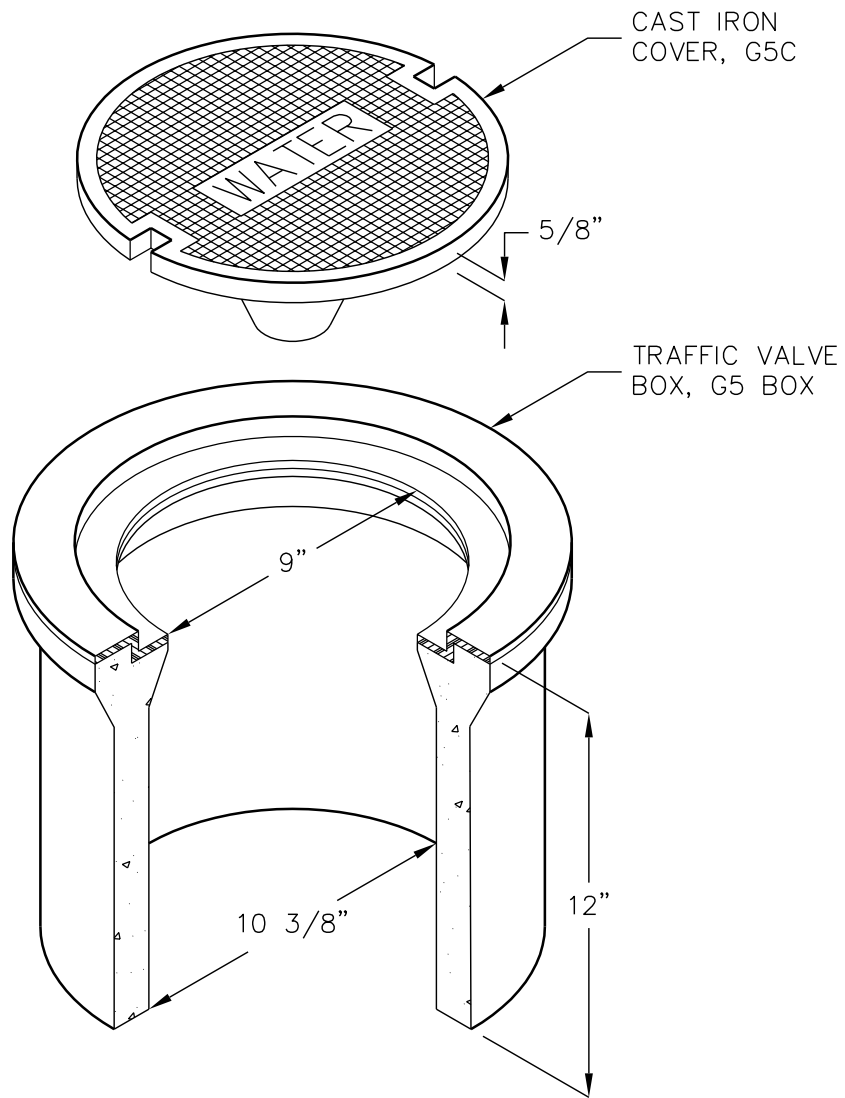


G5 VALVE BOX



DESIGN LOAD: H-20 FULL TRAFFIC.

FOR COMPLETE DESIGN
AND PRODUCT INFORMATION
CONTACT JENSEN PRECAST.