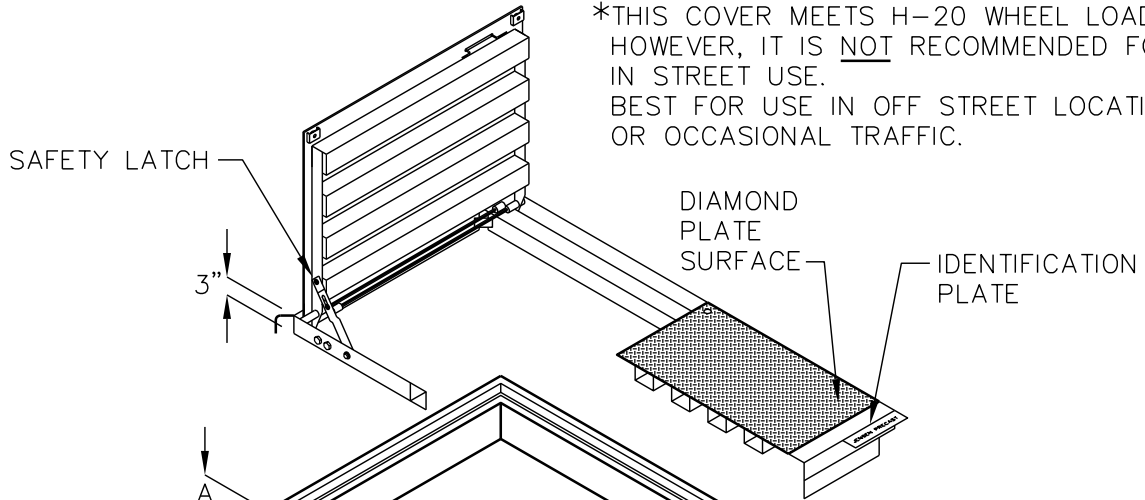


# 3672 INTERCEPT PULLBOX

3'-0" x 6'-0" x 3'-0" I.D.  
FRONTIER COMMUNICATIONS

\*3672AT-TRF, 588 LBS (H-20 TRAFFIC) OR  
3672AT-PKY, 481 LBS (NON TRAFFIC)  
TORSION SPRING ASSISTED COVER

NOTE:  
\*THIS COVER MEETS H-20 WHEEL LOADING,  
HOWEVER, IT IS NOT RECOMMENDED FOR  
IN STREET USE.  
BEST FOR USE IN OFF STREET LOCATIONS  
OR OCCASIONAL TRAFFIC.



OPTIONAL RISERS (EXTENSIONS)		
MODEL NO.	A	WEIGHT
36-R6	6"	525 LBS.
36-R12	12"	1050 LBS.

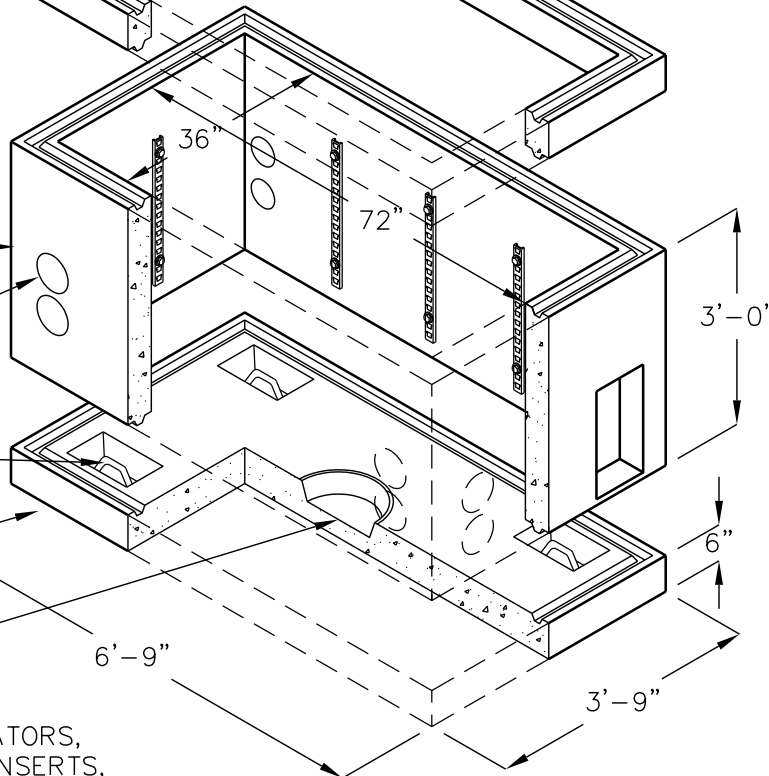
WEIGHT: 2820 LBS.

4.5" TERMADUCTS  
4 EACH SIDEWALL  
2 EACH ENDWALL  
12 TOTAL

7/8" GALVANIZED  
PULLING IRONS  
4 TOTAL

BASE WEIGHT:  
1900 LBS.

12" DIA. X  
4.5" DEEP SUMP



KNOCKOUTS, DUCT TERMINATORS,  
RACKING, PULLING IRONS, INSERTS,  
ETC. PER CURRENT FRONTIER COMMUNICATIONS SPECIFICATIONS.

DESIGN LOAD: H-20 TRAFFIC.

FOR COMPLETE DESIGN AND PRODUCT INFORMATION, CONTACT JENSEN  
PRECAST.