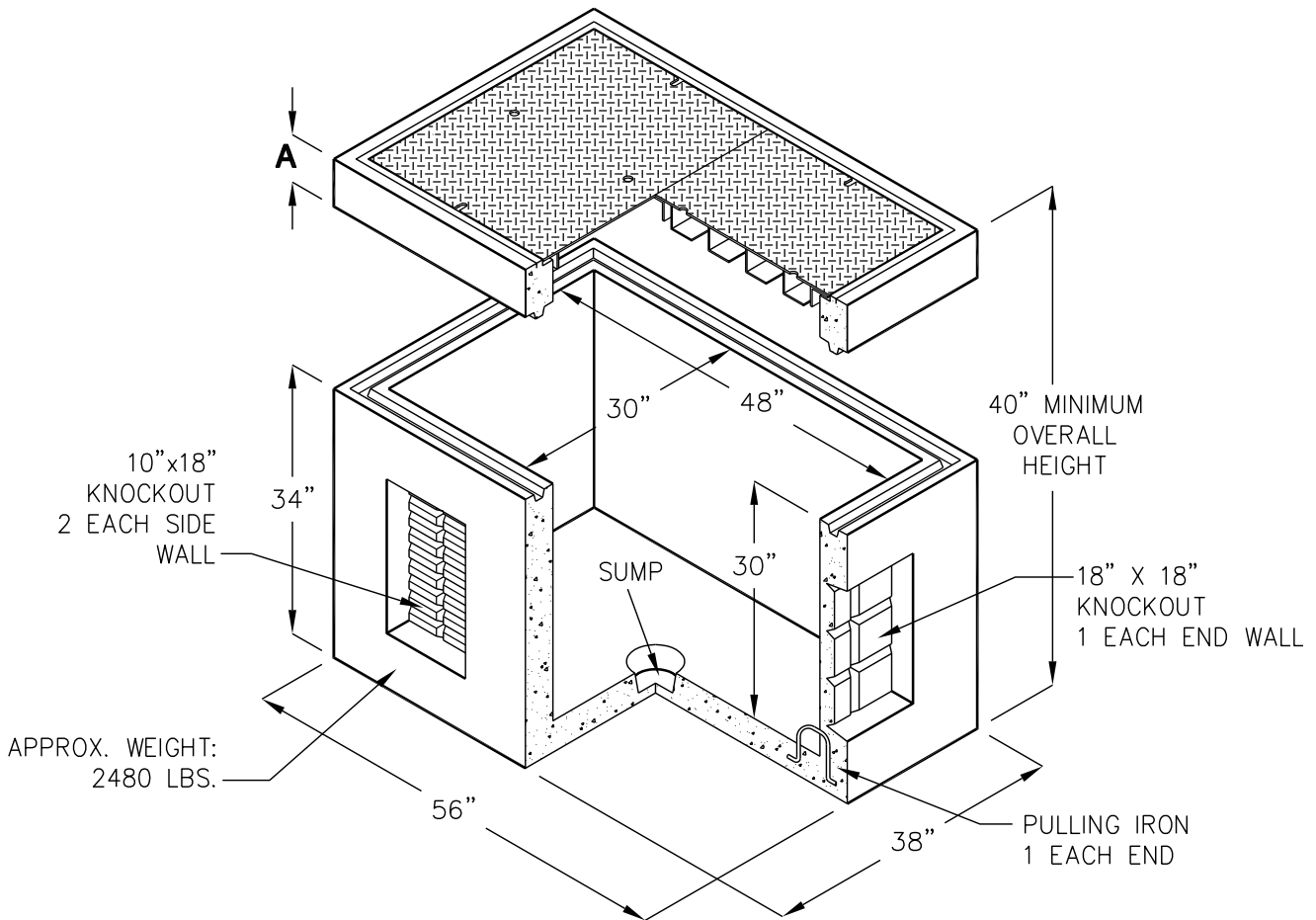


# 3048 PULLBOX

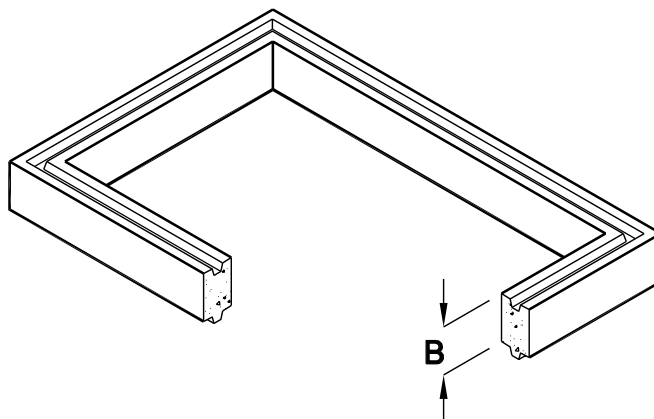
MODEL PB3048

2'-6" x 4'-0" x 2'-6" I.D.

STANDARD NON ADJUSTABLE COVERS			
MODEL NO.	A	DESIGN LOAD	WEIGHT
CA3048C6I	6"	INCIDENTAL H-20	560 LBS.
CA3048C6P	6"	PEDESTRIAN	490 LBS.



RISERS		
MODEL NO.	B	WEIGHT
RS304806	6"	283 LBS.
RS304812	12"	567 LBS.



FOR COMPLETE DESIGN AND PRODUCT INFORMATION, CONTACT JENSEN PRECAST.