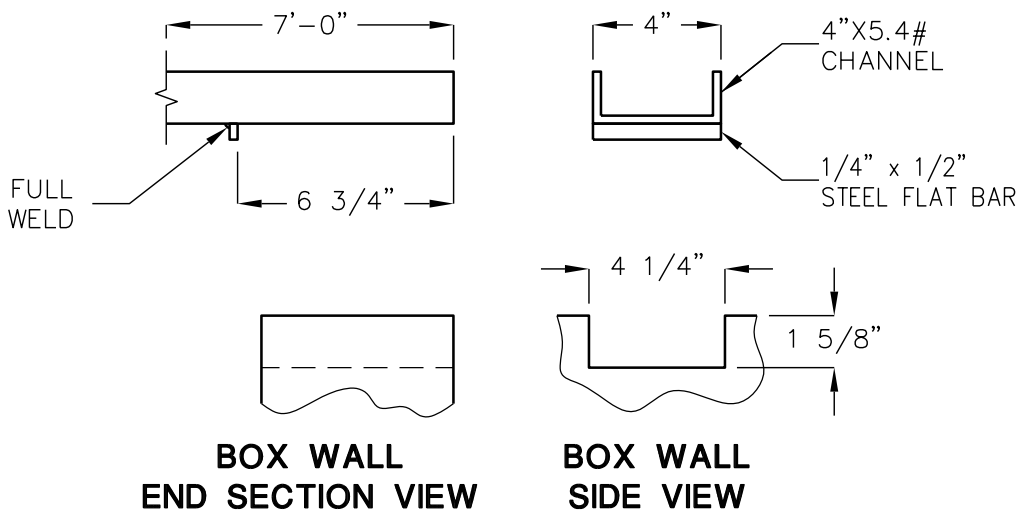


SECTION A
COVER DETAIL



**BOX WALL
END SECTION VIEW**

**BOX WALL
SIDE VIEW**

CHANNEL NOTCH DETAIL