

6'-0" x 19'-0" VERIZON TUNNEL MANHOLE x 9'-0" DEEP

NOTES:

- MANHOLE DESIGN IN ACCORDANCE WITH AASHTO H-20-44 TRAFFIC BRIDGE LOADING USING 5,500 PSI [37.92MPa] COMPRESSIVE STRENGTH CONCRETE AND 60,000 PSI [413.2MPa] YIELD STRENGTH ASTM A-706 STEEL REINFORCEMENT PER CALCS. #50270.
 - MANHOLE TO BE PLACED ON A 6" BASE OF CRUSHER RUN FOR EASE OF INSTALLATION AND EVEN LOAD DISTRIBUTION.
 - LIMIT OF COVER OVER ROOF IS 1'-0" TO 5'-0".
 - ALL WALLS AND CEILING SHALL BE PAINTED WHITE.
- THE FOLLOWING MATERIAL TO BE SHIPPED WITH EACH MANHOLE:
- a) 7/8" x 1 3/4" GASKET (180 FT. REQ'D.)
 - b) 3/4" x 20" COIL PYD (16 REQ'D.)
 - c) 3/4" HEX COIL NUT PYD (32 REQ'D.)
 - d) 7/8" x 1/2" x 3" WASHER GALV. (32 REQ'D.)
 - e) 1/2" x 1 1/2" HEX HEAD PLATED BOLTS (80 REQ'D.)
 - f) 1/2" x 1 1/4" HEX HEAD PLATED BOLTS (80 REQ'D.)
 - g) 1/2" HEAVY HEX HEAD GALVANIZED NUT (80 REQ'D.)
 - h) 1/2" UNISTRUT SPRING NUT (80 REQ'D.)
 - i) 1/4" x 3/4" HEX HEAD BOLT PLATED (22 REQ'D.)
 - j) 1/4" FENDER WASHERS PLATED (44 REQ'D.)
 - k) 1/2" x 6" CLOSED EYE BOLT GALV. (6 REQ'D.)
 - l) 1/2" x 6" BONDING RIBBON (38 FT REQ'D.)
 - m) 14 HOLE CABLE RACK (64 REQ'D.)
 - n) "S" SUPPORTS (80 REQ'D.)
 - o) A-3583 LADDER STEPS (4 REQ'D.)
 - p) A-3600 LADDER 11' (2 REQ'D.)

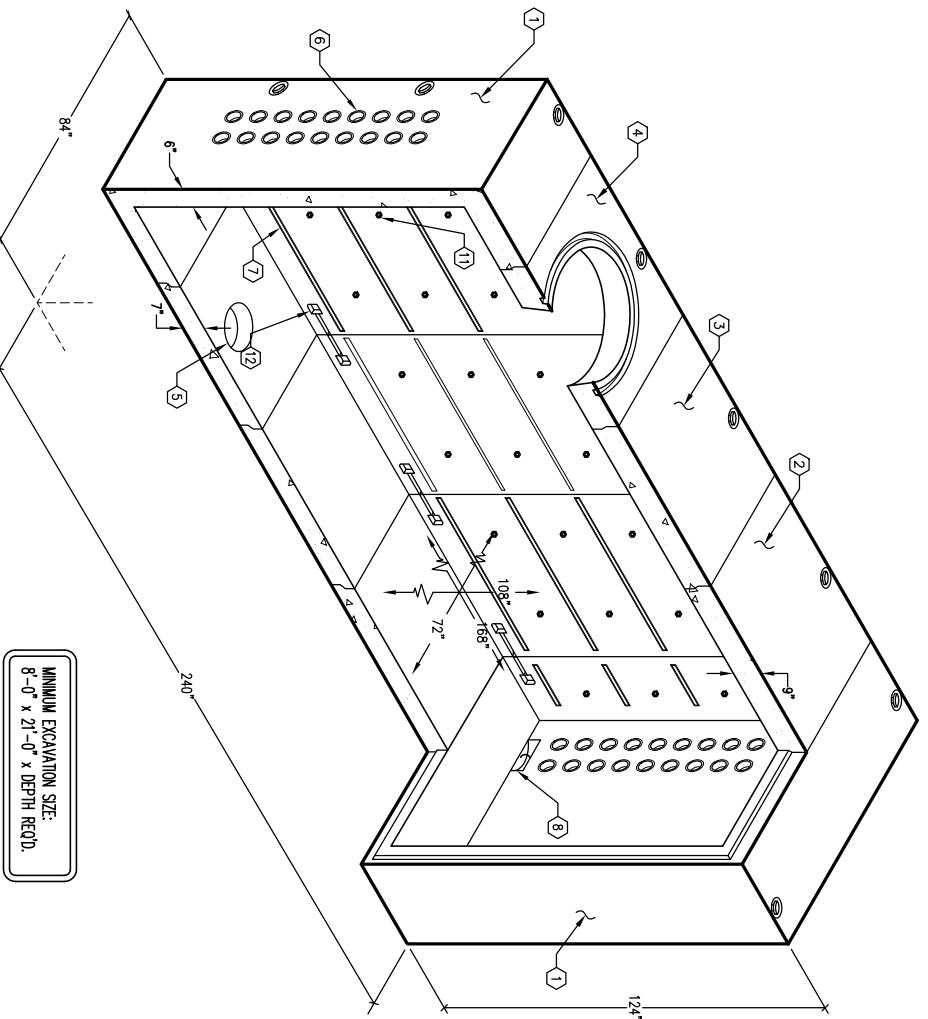
1. TV69-E24-13, 24" END SECTION, WT. 12,017 Lbs. (2 REQ'D)
2. TV69-C60-13, 60" CENTER SECTION, WT. 13,006 Lbs.
3. TV69-R60-13, 60" EXTENSION SECTION, WT. 14,009 Lbs.
4. TV69-R60-130, 60" EXTENSION SECTION w/36" DIA. MANHOLE OPENING, WT. 14,009 Lbs.
5. 12" x 13" DIA. SUMP x 4 1/2" DEEP, LOCATE AS FOLLOWS: INTERMEDIATE SECTION (1) CORE MTD.; EXT. "B" SECTION (1) CORE MTD.
6. 4" DIA. CONTERM SCH.40, LOCATE AS FOLLOWS: END SECTION (36) SURFACE MTD.
7. 1 5/8" x 1 5/8" GALVANIZED UNISTRUT, LOCATE AS FOLLOWS: END SECTION (10) EACH x 18" LONG CORE MTD, INTERMEDIATE SECTION (10) EACH x 57 1/2" LONG CORE MTD.; EXTENSION SECTION "A" & "B" (10) EACH x 57 1/2" LONG CORE MTD.
8. 7/8" DIA. x 3 3/8" GALVANIZED PULL IRON, LOCATE AS FOLLOWS: END SECTION (4) EACH CORE MTD. + 1/2" PLASTIC RACKING INSERTS, LOCATE AS FOLLOWS: INTERMEDIATE SECTION (2) CORE MTD.; EXTENSION SECTION "A" & "B" (2) EACH CORE MTD.
9. 1/4" THREADED BRONZE INSERT, WITH TAIL BRAZED TO STRUCTURAL STEEL REBAR, GRD" SHALL BE STENCILED IN RED LETTERS ON THE CONCRETE ABOVE EACH INSERT. LOCATE AS FOLLOWS: END SECTION (2) CORE MTD.; INTERMEDIATE SECTION (2) EACH CORE MTD.
10. 1/4" P-15-T INSERT, LOCATE AS FOLLOWS: INTERMEDIATE SECTION (20) CORE MTD.; EXTENSION SECTION "A" & "B" (20) EACH CORE MTD.
11. BOLT-UP CASTING (950-118), LOCATE AS FOLLOWS: END SECTION (4) EACH CORE MTD.; INTERMEDIATE SECTION (8) EACH CORE MTD.; EXTENSION SECTION "A" & "B" (8) EACH CORE MTD.
- 12.

ORDERING INFORMATION:

K69-TV19-13 FOR ASSEMBLY AS SHOWN.
PER VERIZON SPEC.
TOTAL WEIGHT OF ASSEMBLY IS 65,058 Lbs.

GENERAL NOTES:

1. Minimum soil bearing capacity is hereby assumed to be 2000 PSF unless otherwise documented by a geotechnical report that shall be provided to Jensen Precast by the end user. Jensen Precast shall not be held responsible for the soil bearing capacity.
2. Installation of Manholes, Vaults, Handholes, Meter Boxes etc. will be as per Jensen installation procedures.
3. Structural modification to the Jensen line of products is not permitted without prior written approval from Jensen Engineering Department. Do not scale the drawings, verify all dimensions including rough openings, if any discrepancies are found, notify the Jensen Engineer immediately.
4. The Jensen Engineer will interpret the intent of the drawings in case of possible conflict or discrepancy.
5. Permissible Variations: Dimensional Tolerances – The length, width, height, or dia. measurements of the structure when measured on the inside surfaces shall not deviate from design dimensions by more than the following:
Tolerance: 1/4"
0 to 5 Feet 3/8"
5 to 10 Feet 3/8"
10 to 20 Feet as agreed upon between the supplier and purchaser.
6. Squareness Tolerance: The inside of the precast concrete component shall be square as determined by diagonal measurements. The difference between such measurements shall not exceed the following:
Measured Length: Allowable Difference 0 to 10 Feet 1/2"
10 to 20 Feet 3/4"
20 Feet and over as agreed upon between the supplier and purchaser.
- 7.

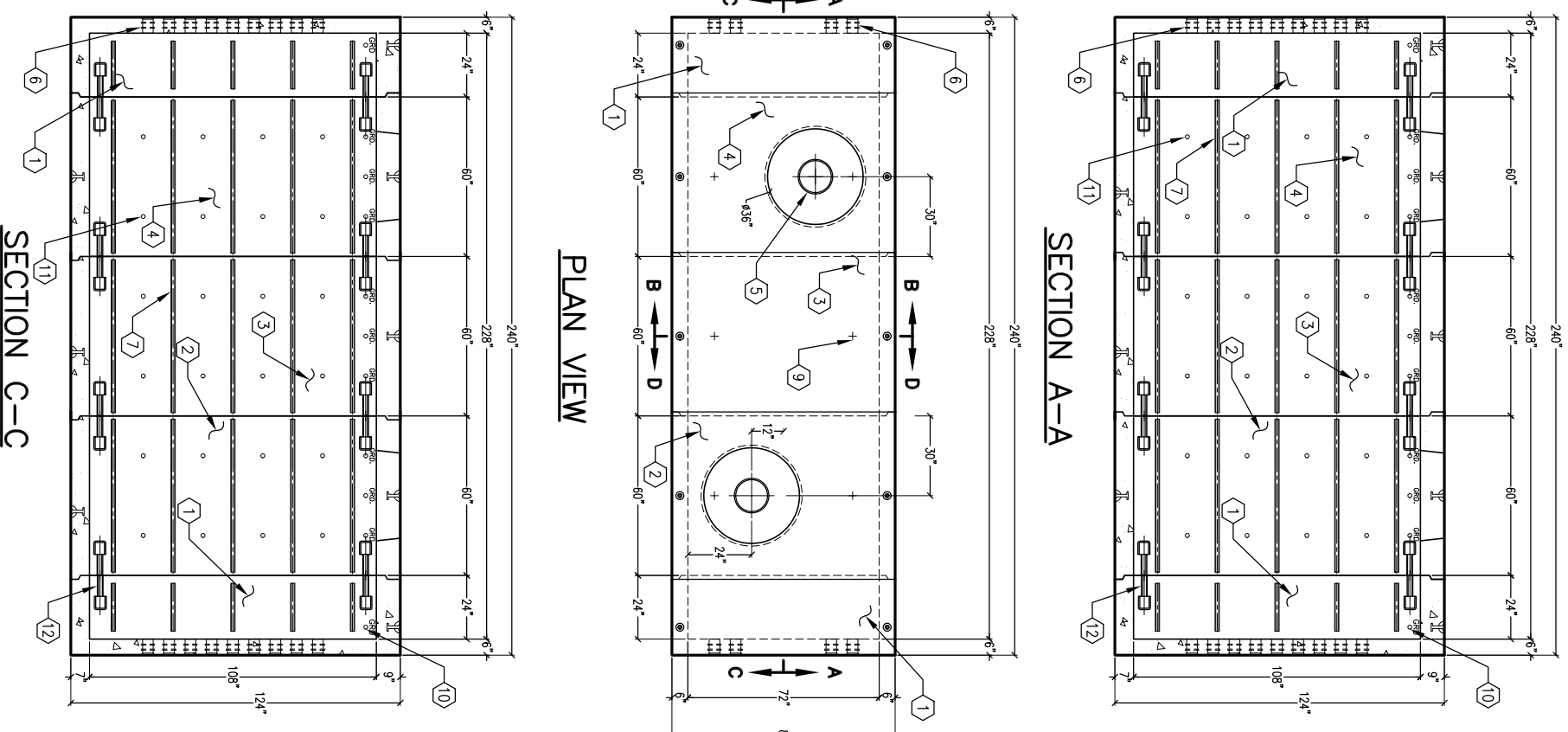


MINIMUM EXCAVATION SIZE:
8'-0" x 21'-0" x DEPTH REQ'D.

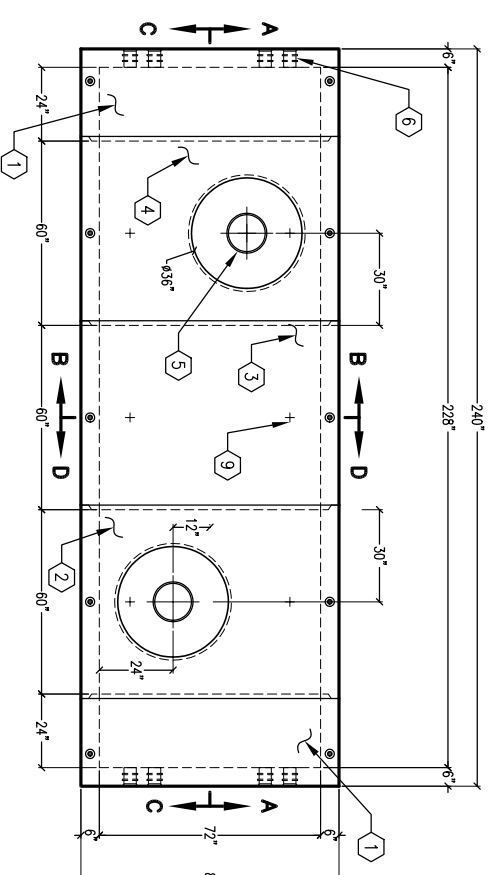
K69-TV19-13

AUTOCAD REL. 14

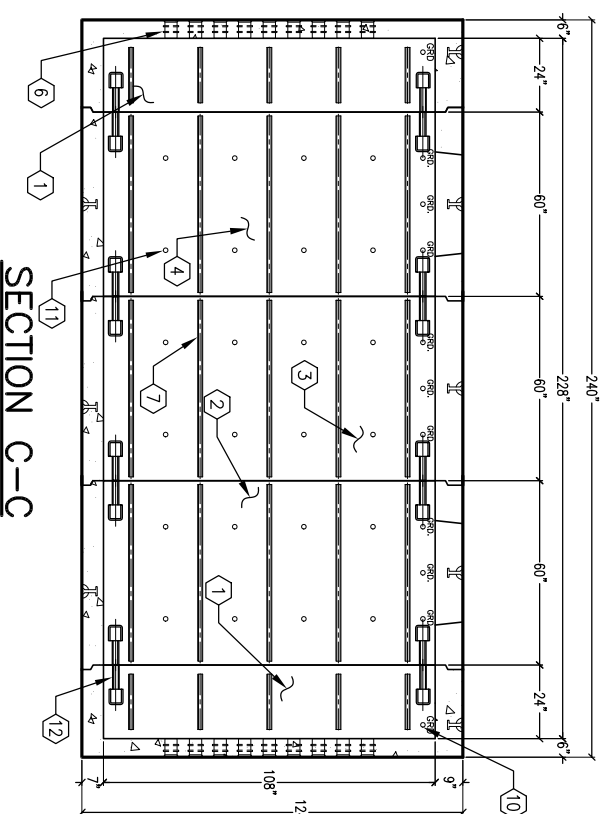
JENSEN
PRECAST



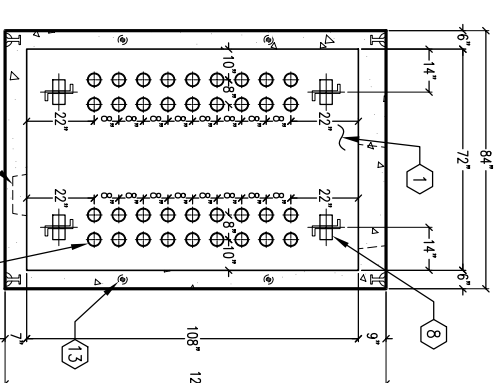
SECTION A-A



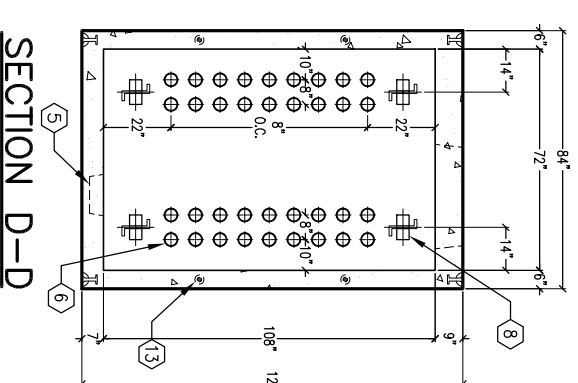
PLAN VIEW



SECTION C-C



SECTION B-B



SECTION D-D

#	DATE	DESCRIPTION	BY

K69-TV19-13

PER VERIZON SPEC. 03-01-02