

# 4'-0" x 6'-6" VERIZON MANHOLE VAULT x 6'-6" DEEP

**NOTES:**

- MANHOLE DESIGNED IN ACCORDANCE WITH AASHTO H-20-44 TRAFFIC BRIDGE LOADING USING 5,500 PSI [37.92MPa] COMPRESSIVE STRENGTH CONCRETE AND 60,000 PSI [413.2MPa] YIELD STRENGTH ASTM A-706 STEEL REINFORCEMENT PER CALCS. #31149.
- MANHOLE TO BE PLACED ON A MIN. 6" BASE OF CRUSHER RUN FOR EASE OF INSTALLATION AND EVEN LOAD DISTRIBUTION.
- LIMITS OF COVER OVER ROOF SECTION IS 1'-0" TO 5'-0"
- INTERIOR WALLS AND CEILING TO BE PAINTED WHITE.
- PRODUCT TO BE STENCILED:
- JENSEN PRECAST  
DATE OF POUR  
PRODUCT MARK NO.

THE FOLLOWING MATERIALS ARE TO BE SHIPPED WITH EACH MANHOLE:

- (g) 7/8" x 1 3/4" GASKET (45 FT. REQ'D.)
- (h) 1/2" x 2" HEX HEAD PLATED BOLTS (20 REQ'D.)
- (c) 1 1/2" x 1 1/4" HEX HEAD PLATED BOLTS (6 REQ'D.)
- (d) 1/2" HEAVY HEX GALVANIZED NUT (6 REQ'D.)
- (e) 47 HOLE CABLE RACKS (6)
- (f) 5" SUPPORTS (6 REQ'D.)
- (g) A-3383 LADDER STEPS (2 REQ'D.)
- (h) A-3600 LADDER 8" (1 REQ'D.)
- (i) BONDING RIBBON (1 @ 7'-0")
- (j) 1/4" x 3/4" HEX HEAD PLATED BOLTS (4 REQ'D.)
- (k) 1/4" FENDER WASHER (8 REQ'D.)

**GENERAL NOTES:**

1. Minimum soil bearing capacity is hereby assumed to be 2000 PSF unless otherwise documented by a geotechnical report that shall be provided to Jensen Precast by the end user. Jensen Precast shall not be held responsible for the soil bearing capacity. Installation of Manholes, Vaults, Handholes, Meter Boxes etc. will be as per Jensen installation procedures.
2. Structural modification to the Jensen line of products is not permitted without prior written approval from Jensen Engineering Department.
3. Do not scale the drawings; verify all dimensions including rough openings, if any discrepancies are found, notify the Jensen Engineer immediately.
4. The Jensen Engineer will interpret the intent of the drawings in case of possible conflict or discrepancy.
5. Permissible Variations:
  - Dimensional Tolerances — The length, width, height, or dia. measurements of the structure when measured on the inside surfaces shall not deviate from design dimensions by more than the following:
 

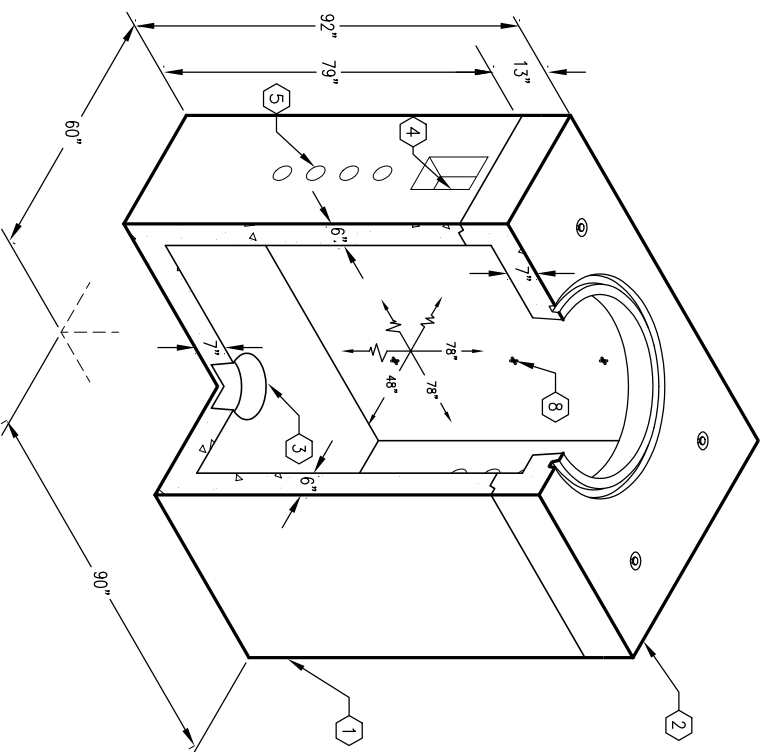
Dimensions:	Tolerance:
0 to 5 Feet	1/4"
5 to 10 Feet	3/8"
10 to 20 Feet	3/8"
  - Squareness Tolerance: between the supplier and purchaser.
6. The inside of the precast concrete component shall be square as determined by diagonal measurements. The difference between such measurements shall not exceed the following:
 

Measured Length:	Allowable Difference
0 to 10 Feet	1/2"
10 to 20 Feet	3/4"
7. Between the supplier and purchaser.

1. UVA466-B72-13, 72" BOTTOM SECTION. WT. 13,629 lbs.
2. UVA466-16-13, 6" TOP SECTION. WT. 3,524 lbs.
3. 12" x 13" DIA. SUMP x 4 1/2" DEEP. LOCATE AS FOLLOWS: LOCATE AS FOLLOWS: BOTTOM SECTION (1) CORE MTD. 7" x 12" K.O. x 4 1/2" DEEP. DRAFT AS FOLLOWS: 1" TYP.;
4. BOTTOM SECTION (2) SHELL MTD.
5. 4" DIA. TERMS SCH.40. LOCATE AS FOLLOWS: BOTTOM SECTION (8) SHELL MTD.
6. 7/8" DIA. x 3 3/8" GALV. PULL IRON W/LEGS. LOCATE AS FOLLOWS: BOTTOM SECTION (2) CORE MTD.;
7. SECTION (2) CORE MTD.
8. 1/4" BRONZE INSERT WELDED TO THE INTEGRAL STEEL REBAR CAGE. LOCATE AS FOLLOWS: BOTTOM SECTION (2) CORE MTD. ROOF SECTION (2) CORE MTD.
9. 1/2" PLASTIC INSERT. LOCATE AS FOLLOWS: BOTTOM SECTION (16) CORE MTD.
10. 1/2" BRONZE INSERT WELDED TO THE INTEGRAL STEEL REBAR CAGE. LOCATE AS FOLLOWS: BOTTOM SECTION (6) CORE MTD.
11. 1/4" DIA. P15T INSERT. BTM. SECTION (2) CORE MTD.

**ORDERING INFORMATION:**

K466FM78-13 FOR ASSEMBLY AS SHOWN.  
APPROVED FOR VERIZON SPECS.  
TOTAL WEIGHT OF ASSEMBLY SHOWN IS 17,153 lbs.



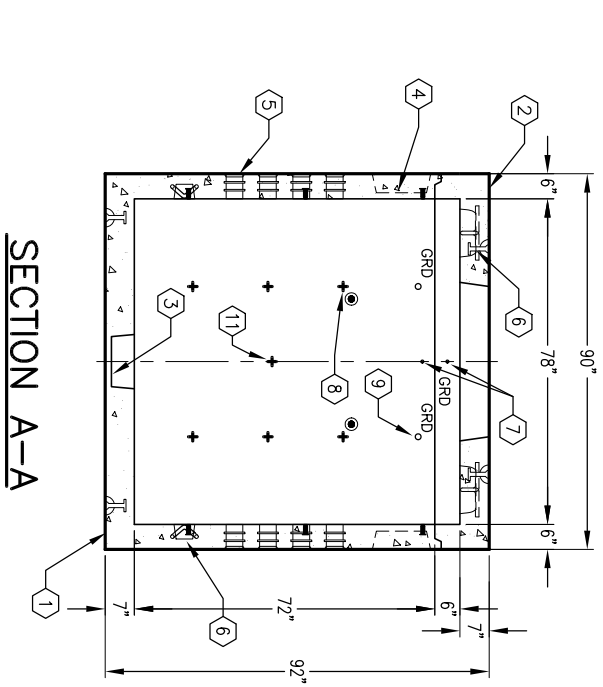
MINIMUM EXCAVATION SIZE:  
6'-0" x 8'-6" x DEPTH REQ'D.

**K466-FM78-13**

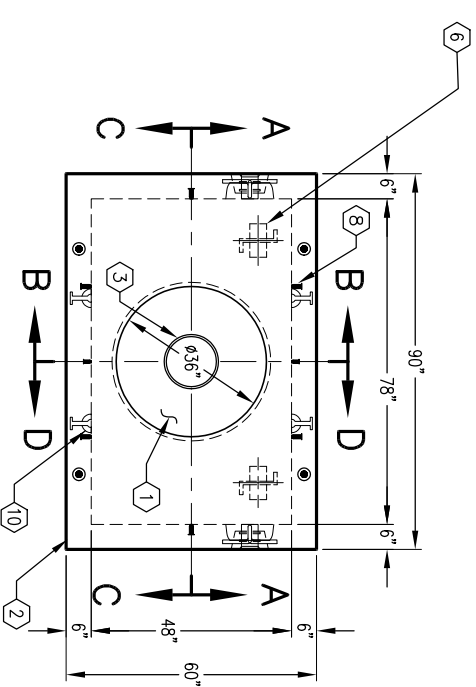
PER VERIZON SPECS. GTS-8386

03-01-02

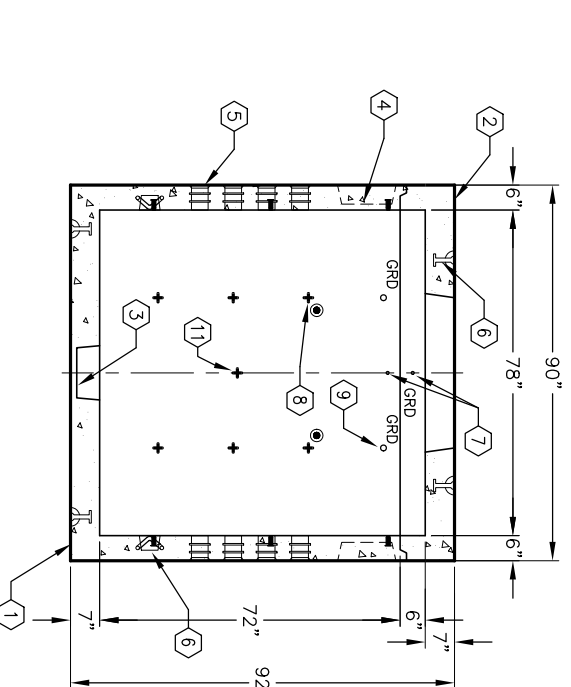
**JENSEN**  
PRECAST



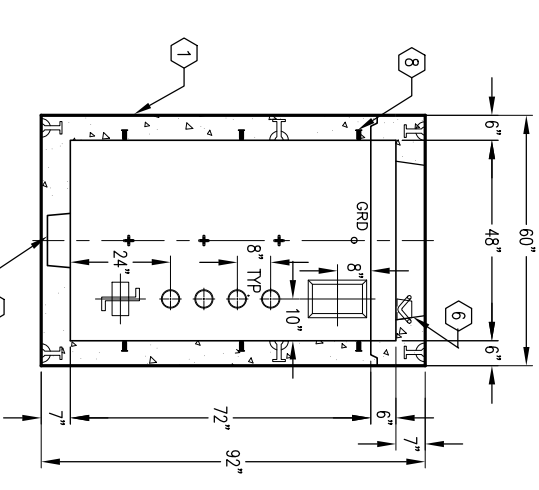
**SECTION A-A**



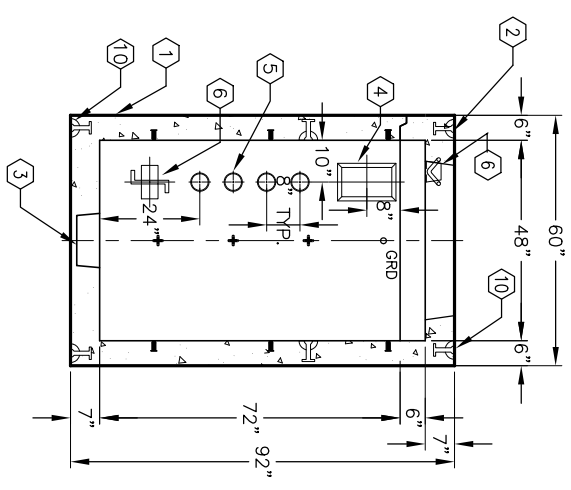
**PLAN VIEW**



**SECTION C-C**



**SECTION B-B**



**SECTION D-D**

#	DATE	DESCRIPTION	BY

**K466-FM78-13**

PER VERIZON SPECS. GTS-8386

03-01-02