

2'-0" x 3'-0" VERIZON FLAT WALL PULL BOX x 36" DEEP

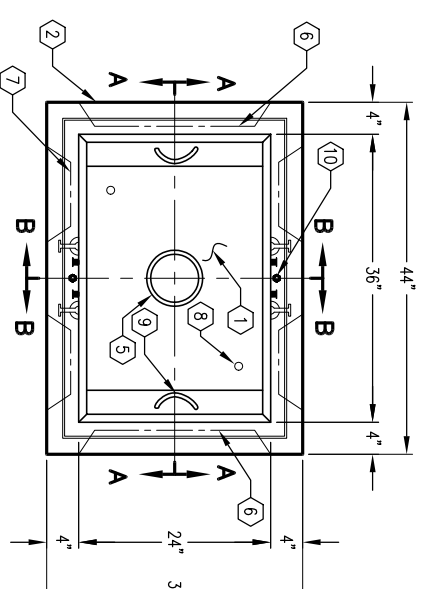
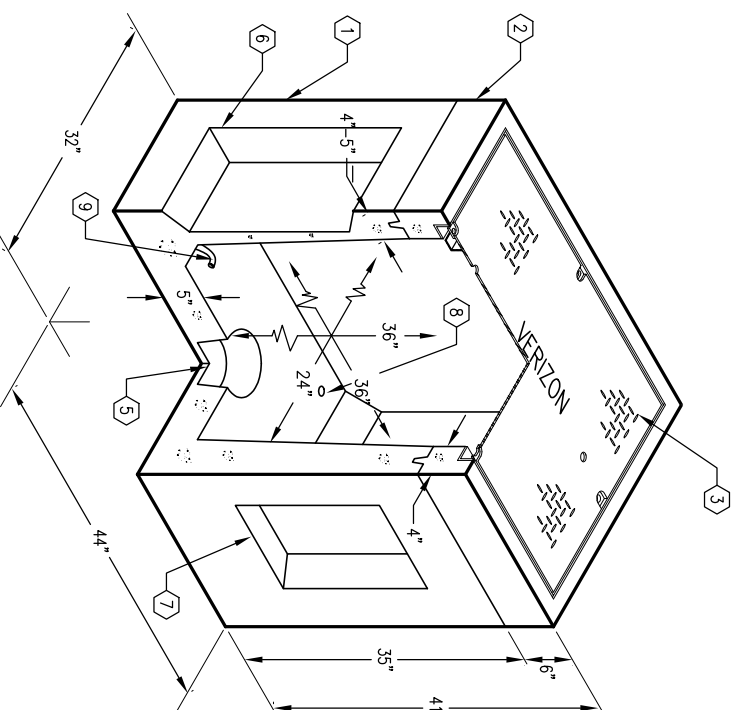
- NOTES:**
- CONCRETE IS DESIGNED FOR H-20-44 BRIDGE LOADING USING 5,500 PSI COMPRESSIVE STRENGTH CONCRETE AND 60,000 PSI A-706 REINFORCING STEEL.
 - COVER DESIGNED FOR PARKWAY LOADING 200 PSF. OR TRAFFIC H-20 LOADING.
 - VAULT TO BE PLACED ON A 6" BASE OF CRUSHER RUN FOR EASE OF INSTALLATION AND EVEN LOAD DISTRIBUTION.
- RACKING PACKAGE:**
- 14 HOLE CABLE RACKS W/ BOLTS = 4.

ORDERING INFORMATION:
 PER VERIZON SPECIFICATIONS,
 TOTAL WEIGHT FOR ASSEMBLY AS SHOWN 1,521#.

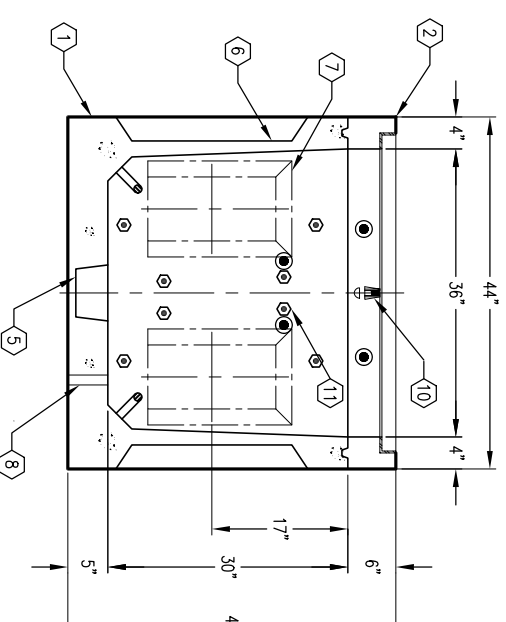
PARKWAY ASSEMBLY WITH STEEL B/D COVER K2436-FP36-13P.
LIGHT TRAFFIC ASSEMBLY WITH STEEL B/D COVER K2436-FP36-13L.

1. PB2436F-B30-05, 30" BOTTOM SECTION, WT. 1,115 lbs.
2. PB2436-16F, 6" TOP SECTION W/CAST IN (F2436-PB-ANG) GALV. ANGLE FRAME, WT. 259 Lbs.
- 3A. SC2436-PSRAL, ONE PIECE SLIP RESISTANT PARKWAY COVER W/ RED PRIMER, ALUMINUM FINISH, MARKED "VERIZON."
- 3B. SC2436-TSRAL, ONE PIECE SLIP RESISTANT TRAFFIC COVER W/ RED PRIMER, ALUMINUM FINISH, MARKED "VERIZON."
5. 6" x 7" DIA. SUMP x 4" DEEP, BOTTOM SECTION (1).
6. 20" x 20" KNOCKOUT x 3" DEEP, BOTTOM SECTION (2)
7. 8" x 16" KNOCKOUT x 3" DEEP, BOTTOM SECTION (4).
8. 1" DIA. BLIND THRU GROUND ROD HOLE, BOTTOM SECTION (2)
9. 7/8" DIA. PULL IRON, BOTTOM SECTION (2)
10. 1/2" P-35-T INSERT W/CLEAN-OUT HOLE, TOP SECTION (2) FRAME MTD.
11. 1/2" PLASTIC INSERT, BOTTOM SECTION (16).

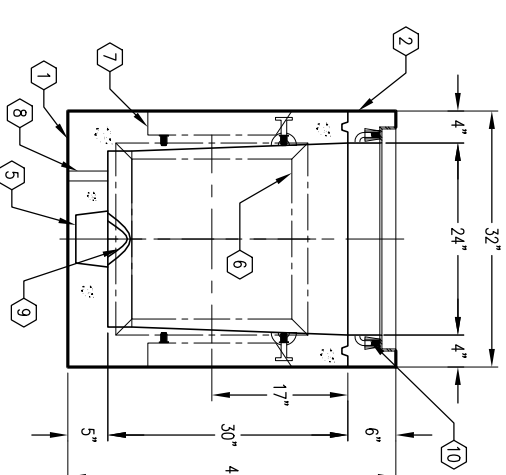
- GENERAL NOTES:**
1. Minimum soil bearing capacity is hereby assumed to be 2000 PSF unless otherwise documented by a geotechnical report that shall be provided to Jensen Precast by the end user. Jensen Precast shall not be held responsible for the soil bearing capacity.
 2. Installation of Manholes, Vaults, Handholes, Meter Boxes etc. will be as per Jensen installation procedures.
 3. Structural modification to the Jensen line of products is not permitted without prior written approval from Jensen Engineering Department.
 4. Do not scale the drawings, verify all dimensions including rough openings, if any discrepancies are found, notify the Jensen Engineer immediately.
 5. The Jensen Engineer will interpret the intent of the drawings in case of possible conflict or discrepancy.
 6. Permissible Variations:
 Dimensional Tolerances – The length, width, height, or dia. measurements of the structure when measured on the inside surfaces shall not deviate form design dimensions by more than the following:
 Dimensions: Tolerance:
 0 to 5 Feet 1/4"
 5 to 10 Feet 3/8"
 10 to 20 Feet as agreed upon between the supplier and purchaser.
 Squariness Tolerance:
 The inside of the precast concrete component shall be square as determined by diagonal measurements. The difference between such measurements shall not exceed the following:
 Measured Length: Allowable Difference
 0 to 10 Feet 1/2"
 10 to 20 Feet 3/4"
 20 Feet and over as agreed upon between the supplier and purchaser.
 - 7.



PLAN VIEW



SECTION A-A



SECTION B-B



K2436-FP36-13
 PER VERIZON SPECS. 03-01-02



#	DATE	DESCRIPTION	BY

K2436-FP36-13
 PER VERIZON SPECS. 03-01-02