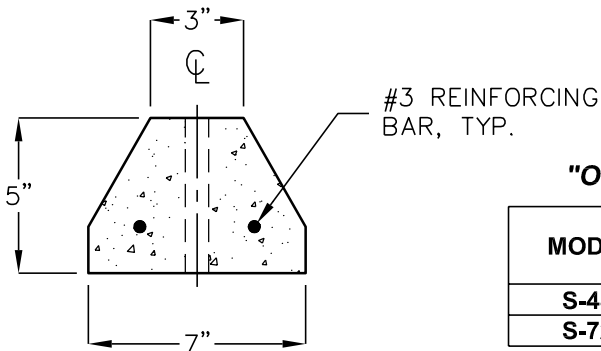
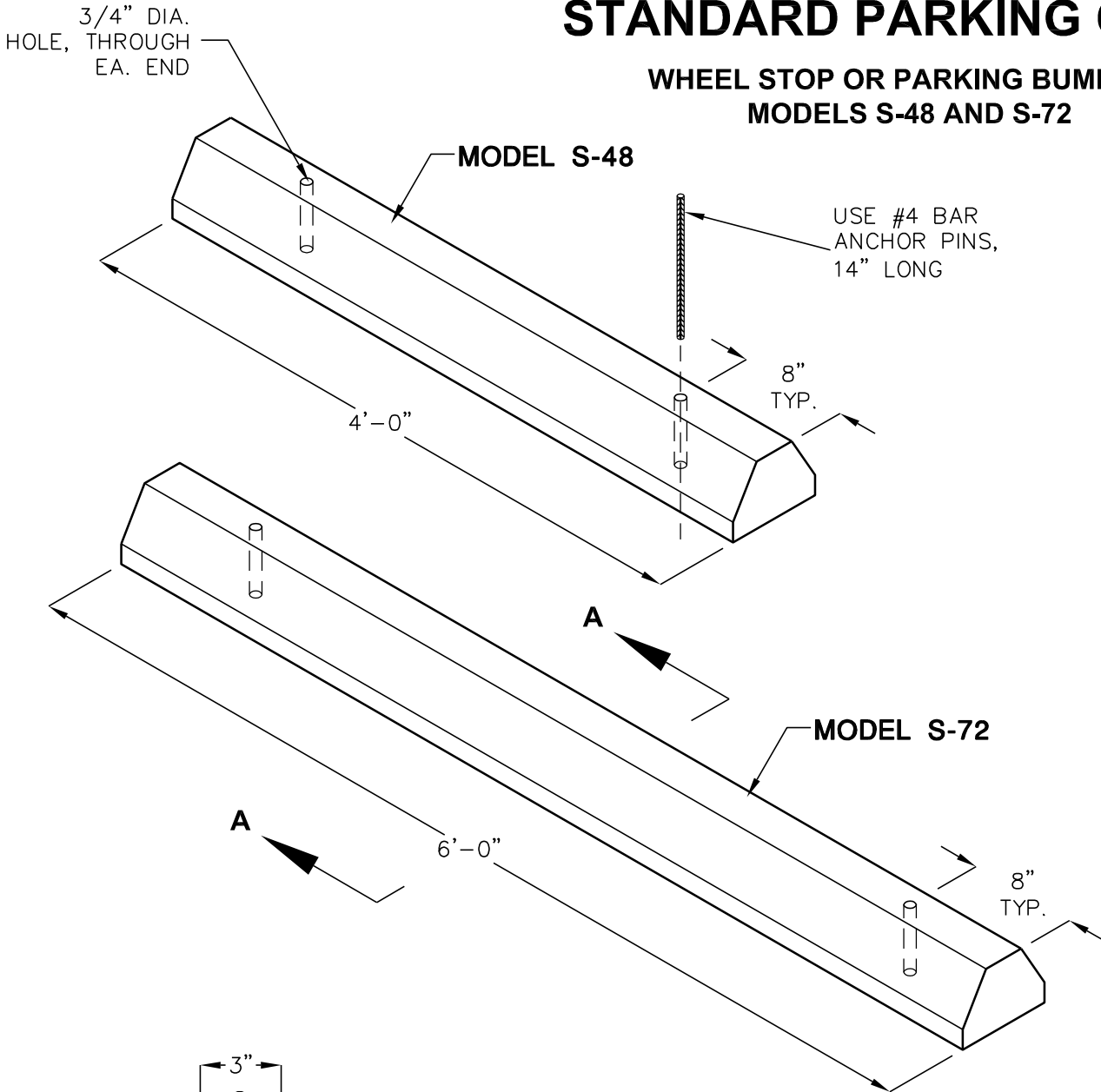


STANDARD PARKING CURBS

WHEEL STOP OR PARKING BUMPERS MODELS S-48 AND S-72



**SECTION A-A
(TYPICAL)**

"OUR MOST POPULAR MODEL PARKING CURBS"

MODEL	LENGTH	WEIGHT	WT. PER PALLET	No. PER PALLET
S-48	4'-0"	124 LBS.	3810 LBS.	36*
S-72	6'-0"	186 LBS.	3900 LBS.	24*

*SAVE ON PALLET QUANTITIES

FOR COMPLETE DESIGN AND PRODUCT INFORMATION CONTACT JENSEN PRECAST.

Jensen Precast reserves the right to make changes to product design and/or dimensions without notice. Please contact Jensen Precast whenever necessary for confirmation or advice on product design.

JENSEN
PRECAST