

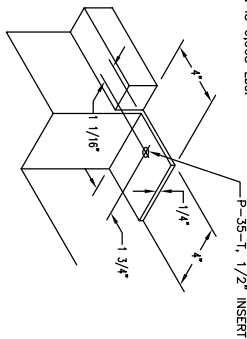
4'-6" x 7'-0" EDISON EQUIPMENT PAD W/3'-0" x 5'-0" ENCLOSURE X 42" DEEP

NOTES:

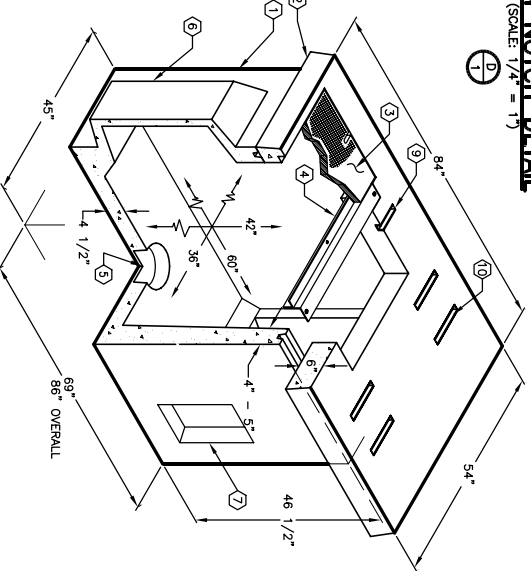
- 1. WALL: DESIGNED IN ACCORDANCE WITH AASHTO H-20-44 TRAFFIC BRIDGE LOADING USING 5,500 PSI (37,922MPa) COMPRESSIVE STRENGTH CONCRETE AND 60,000 PSI (413,2MPa) YIELD STRENGTH ASTM A-706 STEEL REINFORCEMENT PER CALC. #30751 & CALC. #31593.
 - 2. WALL TO BE PLACED ON A MIN. 6" BASE OF CRUSHER RUN FOR EASE OF INSTALLATION AND EVEN LOAD DISTRIBUTION.
 - 3. CONCRETE MIX USED IN POURING THIS PRODUCT SHALL US FLY ASH AS AN ADMIXTURE.
- THE FOLLOWING TO BE SHIPPED WITH PAD:**
- (a) REMOVABLE BEAM PER DRAWING NO. (SCB3660-11PMH) (1 RECD.)
 - (b) 1/2" x 2 1/2" S.S. PENNA-HEAD BOLT (5 RECD.)
 - (c) 2436 SERIES RPM COVER (12-20-10) (1 RECD.)
- ORDERING INFORMATION:**
- K3660-PUV42-11 FOR ASSEMBLY AS SHOWN.
 PER EDISON SPEC. UCS 536.1, 2, & 3.
 TOTAL WEIGHT OF ASSEMBLY AS SHOWN IS 6,068 Lbs.

GENERAL NOTES:

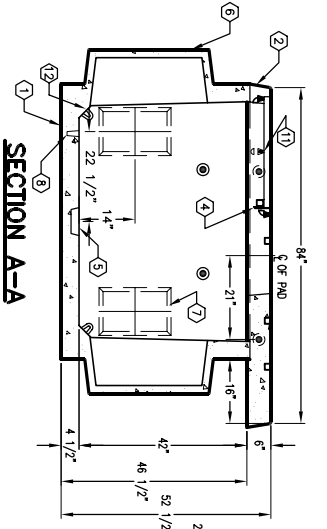
1. Minimum soil bearing capacity is hereby assumed to be 2000 PSF. If a different soil bearing capacity is provided by a geotechnical report that shall be provided to Jensen Precast by the end user. Jensen Precast shall not be held responsible for the soil bearing capacity.
2. Installation of Manholes, Vaults, Handholes, Meter Boxes etc. will be as per Jensen Installation procedures.
3. Structural modification to the Jensen line of products is not permitted without prior written approval from Jensen Engineering Department.
4. Do not scale the drawings, verify all dimensions and details on drawings. If any discrepancies are found, notify the Jensen Engineer immediately.
5. The Jensen Engineer will interpret the intent of the drawings in case of possible conflict or discrepancy.
6. Permissible Variations: — The length, width, height, or dia. measurements of the structure when measured on the inside surfaces shall not deviate from design dimensions by more than the following: Tolerance:
 - 0 to 5 Feet 1/4"
 - 5 to 10 Feet 3/8"
 - 10 to 20 Feet 1/2"
 - 20 to 40 Feet 3/4"
 - 40 to 60 Feet 1"
 - 60 to 80 Feet 1 1/4"
 - 80 to 100 Feet 1 1/2"
 The inside of the precast concrete component shall be square as determined by diagonal measurements. The difference between such measurements shall not exceed the following:
 - 0 to 10 Feet 1/2"
 - 10 to 20 Feet 3/4"
 - 20 Feet and over as agreed upon between the supplier and purchaser.



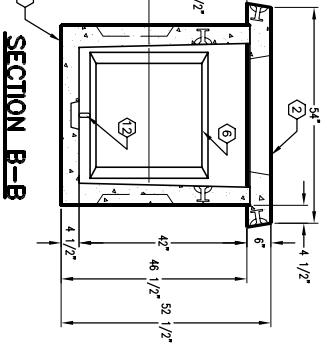
BEAM NOTCH DETAIL
 (SCALE: 1/4" = 1")



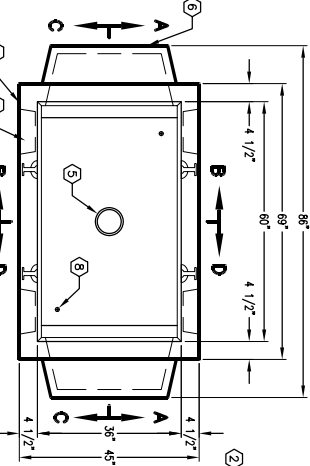
K3660-PUV42-11
 PER EDISON SPEC. UCS 536
 10-31-02



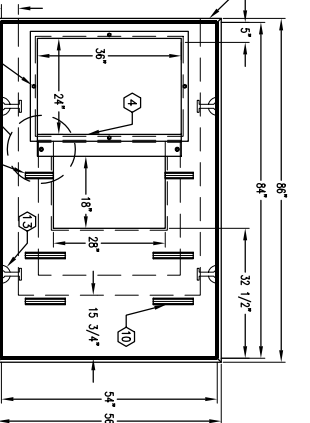
SECTION A-A



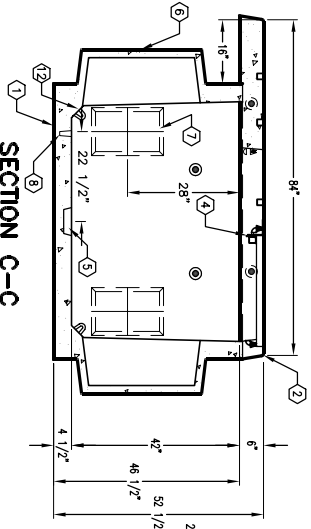
SECTION B-B



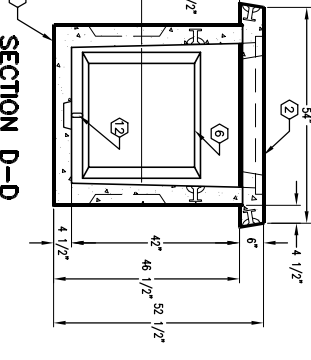
PLAN VIEW



PLAN VIEW OF PAD



SECTION C-C



SECTION D-D



#	DATE	DESCRIPTION	BY

K3660-PUV42-11
 PER EDISON SPEC. UCS 536
 10-31-02